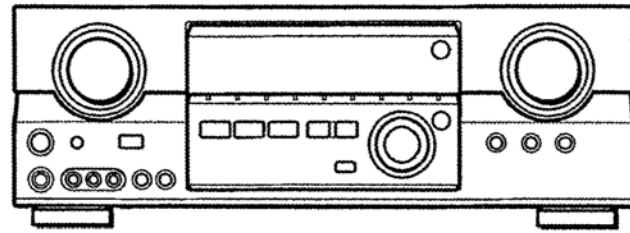




AV-D55

U(B)



SERVICE MANUAL

STEREO AV RECEIVER

This Service Manual is the "Revision Publishing" and replaces "Simple Manual" (S/M Code No.09-994-329-7T1).

aiwa
S/M Code No. 09-994-329-7R1

REVISION
DATA

SPECIFICATIONS

FM tuner section

Tuning range 87.5 MHz to 108 MHz
Usable sensitivity (IHF) 13.2 dBf
Antenna terminals 75 ohms (unbalanced)

AM tuner section

Tuning range 530 kHz to 1710 kHz (10 kHz step), 531 kHz to 1602 kHz (9 kHz step)
Usable sensitivity 350 μ V/m
Antenna Loop antenna

Amplifier section

Power output **[Stereo Mode]**
Front
150 watts per channel, Min RMS at 8 ohms, from 40 Hz to 20 kHz, with no more than 0.9% Total Harmonic Distortion
[Dolby Pro Logic or 5.1 CH Mode]
Front
100 watts per channel, Min RMS at 8 ohms, from 40 Hz to 20 kHz, with no more than 0.9% Total Harmonic Distortion
Rear (Surround)
100 watts per channel, Min RMS at 8 ohms, 1 kHz, with no more than 0.9% Total Harmonic Distortion
Center
100 watts, Min RMS at 8 ohms, 1 kHz, with no more than 0.9% Total Harmonic Distortion
Total harmonic distortion 0.08% (50 W, 1 kHz, 8 ohms, Front)

Inputs

AUDIO IN
PHONO 2 mV, adjustable (47 kohms)
CD, VIDEO 1/DVD/MD, VIDEO 2/LD/TV, VIDEO 3 240 mV, adjustable (47 kohms)
TAPE MONITOR 240 mV (47 kohms)
AUX 200 mV, adjustable (47 kohms)
5.1 INPUT
FRONT, CENTER 300 mV, adjustable (47 kohms)
SURROUND 300 mV, adjustable (47 kohms)
SUB-WOOFER 300 mV, adjustable (47 kohms)
VIDEO IN 1 Vp-p (75 ohms)

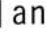
Outputs

AUDIO OUT (REC OUT) 220 mV (1 kohm)
VIDEO OUT (MONITOR) 1 Vp-p (75 ohms)
SUPER WOOFER 12 V
FRONT SPEAKERS IMP 8 Ω (front speakers A and B) accepts speakers of 8 ohms or more
SURROUND SPEAKERS IMP 8 Ω (surround speakers) accepts speakers of 8 ohms or more
CENTER SPEAKER IMP 8 Ω accepts a speaker of 8 ohms or more
PHONES (stereo jack) accepts headphones of 32 ohms or more
-20 dB

Muting

General

Power requirements 120 V AC, 60 Hz
Power consumption 200 W
Dimensions (W x H x D) 430 x 155 x 385 mm (17 x 6 $\frac{1}{8}$ x 15 $\frac{1}{4}$ in)
Weight 11.5 kg (25 lb 6 oz)

- Design and specifications are subject to change without notice.
- Dolby noise reduction manufactured under license from Dolby Laboratories Licensing Corporation. "DOLBY" and the double-D symbol  and "PRO LOGIC" are trademarks of Dolby Laboratories Licensing Corporation.

ELECTRICAL MAIN PARTS LIST

DESCRIPTIONで判断できない物は "REFERENCE NAME LIST" を参照してください。
 If can't understand for Description please kindly refer to "REFERENCE NAME LIST".

REF. NO	PART NO.	KANRI NO.	DESCRIPTION	REF. NO	PART NO.	KANRI NO.	DESCRIPTION
IC					87-A40-435-080		ZENER,MTZJ30D
	87-A21-097-040	C-IC,M62463AFP			87-A40-347-080		ZENER,MTZJ2.2B
	87-A21-015-040	C-IC,M62491FP			87-A40-646-010		DIODE,FMB-G16L
	87-017-022-080	IC,NJM2068M-D(T1)			87-070-136-080		ZENER,MTZJ5.1B
	87-020-784-080	IC,TC4053BF			87-A40-488-080		DIODE,1SS244
	87-017-915-080	IC,BU4094BCF					
	87-017-888-080	IC,NJM4558MD			87-017-931-080		ZENER,MTZJ5.6B
	87-020-903-010	IC,NJM7805FA			87-A40-348-080		ZENER,MTZJ3.3A
	8Z-AR3-610-010	C-IC,UPD780228GF			87-A40-438-080		ZENER,MTZJ4.7A
	87-070-083-010	IC,GP1U281X		MAIN C.B			
	87-A20-870-010	IC,GP1F37R					
	87-017-726-080	IC,BU4052 BCF		C101	87-010-235-080		CAP,E 470-16 SME
	87-A21-202-040	C-IC,M62445AFP		C102	87-010-235-080		CAP,E 470-16 SME
	87-A20-820-010	IC,BA7625		C103	87-010-384-080		CAP, ELECT 100-25V
	87-017-917-080	IC,BU4066BCF		C104	87-016-128-080		CAP,E 22-25 105
	87-A20-437-010	C-IC,M62431FP		C105	87-010-247-080		CAP, ELECT 100-50V
	87-070-127-110	IC,LC72131 D					
	87-A20-913-010	IC,LA1837NL		C106	87-010-384-080		CAP, ELECT 100-25V
				C107	87-010-263-080		CAP, ELECT 100-10V
				C108	87-012-140-080		CAP 470P
				C109	87-012-368-080		C-CAP,S 0.1-50 F
				C110	87-012-368-080		C-CAP,S 0.1-50 F
TRANSISTOR							
	87-A30-071-080	C-TR,RT1N 144C		C111	87-012-368-080		C-CAP,S 0.1-50 F
	87-A30-074-080	C-TR,RT1P 141C		C112	87-012-368-080		C-CAP,S 0.1-50 F
	87-A30-073-080	C-TR,RT1N 141C		C113	87-016-658-090		CAP,E 4700-35 SMG
	87-A30-086-070	C-TR,CSD1306E		C114	87-016-658-090		CAP,E 4700-35 SMG
	87-A30-076-080	C-TR,2SC3052F		C115	87-012-368-080		C-CAP,S 0.1-50 F
	87-026-608-080	C-TR,DTC 123 JK					
	87-A30-197-080	TR,KTA1267GR		C116	87-012-368-080		C-CAP,S 0.1-50 F
	87-026-245-080	TR,DTC114ES		C117	87-012-368-080		C-CAP,S 0.1-50 F
	87-A30-198-080	TR,KTC3199GR		C118	87-012-368-080		C-CAP,S 0.1-50 F
	89-110-372-080	TR,2SA1037(140MHZ 200MW)		C119	87-A10-416-090		CAP,E 6800-80 SMG VB
				C120	87-A10-416-090		CAP,E 6800-80 SMG VB
	89-213-750-010	TR,2SB1375 (25W)					
	87-A30-083-080	TR,CSD1489B		C121	87-010-260-080		CAP, ELECT 47-25V
	87-A30-075-080	C-TR,2SA1235F		C122	87-010-403-080		CAP, ELECT 3.3-50V
	89-112-965-080	TR,2SA1296 (0.75W)		C123	87-010-384-080		CAP, ELECT 100-25V
	87-026-610-080	TR,KTC3198GR		C124	87-010-384-080		CAP, ELECT 100-25V
				C125	87-A10-417-080		CAP,E 47-63 M SME
	89-213-702-010	TR,2SB1370 (1.8W)					
	87-A30-072-080	C-TR,RT1P 144C		C126	87-010-263-080		CAP, ELECT 100-10V
	87-A30-087-080	C-FET,2SK2158		C127	87-010-197-080		CAP, CHIP 0.01 DM
	87-026-263-080	C-TR,RN1410		C131	87-010-378-080		CAP, ELECT 10-16V
	87-026-609-080	TR,KTA1266GR		C133	87-010-378-080		CAP, ELECT 10-16V
				C136	87-012-368-080		C-CAP,S 0.1-50 F
	87-A30-257-080	C-TR,2SD1306E					
	87-A30-107-070	C-TR,CMBT5401		C143	87-A10-712-080		C-CAP,S 0.22-50 Z F
	87-A30-190-080	TR,CC5551		C144	87-A10-712-080		C-CAP,S 0.22-50 Z F
	87-A30-097-010	TR,FN 1016		C203	87-010-176-080		C-CAP,S 680P-50 SL
	87-A30-098-010	TR,FP 1016		C204	87-010-176-080		C-CAP,S 680P-50 SL
				C207	87-016-299-080		CAP,E 10-100 SME
	87-A30-106-070	C-TR,CMBT5551					
	87-A30-162-010	FET,2SK2937		C208	87-016-299-080		CAP,E 10-100 SME
	87-026-236-080	TR,DTC124E,K		C209	87-010-392-080		CAP, ELECT 33-50
	87-026-232-080	TR,DTA144WK		C210	87-010-392-080		CAP, ELECT 33-50
	87-A30-196-080	TR,2SC4115SRS		C211	87-010-322-080		C-CAP,S 100P-50 CH
				C212	87-010-322-080		C-CAP,S 100P-50 CH
	89-327-143-080	TR,2SC2714 (0.1W)					
DIODE							
	87-A40-234-080	ZENER,MTZJ5.6A		C215	87-A10-897-080		CAP,E 100-25 BP SME
	87-020-465-080	DIODE,1SS133 (110MA)		C216	87-A10-897-080		CAP,E 100-25 BP SME
	87-A40-344-080	ZENER,MTZJ6.2C		C217	87-A10-516-080		C-CAP,S 100P-200 J CH
	87-A40-002-080	ZENER,MTZJ5.1C		C218	87-A10-516-080		C-CAP,S 100P-200 J CH
	87-A40-291-080	DIODE,1N4148 (CPT)		C219	87-010-805-080		CAP, S 1-16
	87-A40-345-080	ZENER,MTZJ10C					
	87-A40-468-080	C-DIODE,HSM2836CTR		C220	87-010-805-080		CAP, S 1-16
	87-027-686-080	ZENER,HZ-12A1		C221	87-010-805-080		CAP, S 1-16
	87-A40-115-060	DIODE,RS603M		C222	87-010-805-080		CAP, S 1-16
	87-A40-469-080	C-DIODE,HSM2838CTR		C223	87-010-402-080		CAP, ELECT 2.2-50V
				C224	87-010-402-080		CAP, ELECT 2.2-50V
	87-A40-004-080	ZENER,MTZJ16A					
	87-A40-335-080	ZENER,MTZJ11C T-72		C225	87-010-196-080		CHIP CAPACITOR,0.1-25
	87-A40-224-010	DIODE,GBU8D		C226	87-010-101-080		CAP, ELECT 100-16V
	87-070-274-080	DIODE,1N4003 SEM		C227	87-010-178-080		CHIP CAP 1000P
				C228	87-010-178-080		CHIP CAP 1000P
				C229	87-010-101-080		CAP, ELECT 100-16V
				C230	87-010-992-080		C-CAP,S 0.047-25 K B
				C231	87-010-992-080		C-CAP,S 0.047-25 K B
				C285	87-010-186-080		CAP,CHIP 4700P
				C287	87-010-190-080		S CHIP F 0.01

REF. NO	PART NO.	KANRI NO.	DESCRIPTION	REF. NO	PART NO.	KANRI NO.	DESCRIPTION
C288	87-010-190-080		S CHIP F 0.01	C516	87-010-370-080		CAP,E 330-6.3 SME
C289	87-010-190-080		S CHIP F 0.01	C517	87-010-196-080		CHIP CAPACITOR, 0.1-25
C290	87-010-190-080		S CHIP F 0.01	C518	87-010-196-080		CHIP CAPACITOR, 0.1-25
C291	87-012-368-080		C-CAP,S 0.1-50 F	C519	87-010-196-080		CHIP CAPACITOR, 0.1-25
C292	87-012-368-080		C-CAP,S 0.1-50 F	C520	87-010-196-080		CHIP CAPACITOR, 0.1-25
C293	87-012-368-080		C-CAP,S 0.1-50 F	C523	87-010-182-080		C-CAP,S 2200P-50 B
C294	87-012-368-080		C-CAP,S 0.1-50 F	C524	87-010-182-080		C-CAP,S 2200P-50 B
C295	87-012-368-080		C-CAP,S 0.1-50 F	C531	87-010-213-080		C-CAP,S 0.015-50 B
C296	87-012-368-080		C-CAP,S 0.1-50 F	C532	87-010-992-080		C-CAP,S 0.047-25 B
C297	87-012-368-080		C-CAP,S 0.1-50 F	C533	87-015-785-080		CHIP CAPACITOR, 0.1FZ-25Z
C298	87-012-368-080		C-CAP,S 0.1-50 F	C535	87-010-404-080		CAP, ELECT 4.7-50V
C303	87-010-179-080		CAP,CHIP S 1200P	C536	87-010-404-080		CAP, ELECT 4.7-50V
C304	87-010-179-080		CAP,CHIP S 1200P	C539	87-010-401-080		CAP, ELECT 1-50V
C305	87-010-406-080		CAP, ELECT 22-50	C540	87-010-401-080		CAP, ELECT 1-50V
C306	87-010-406-080		CAP, ELECT 22-50	C541	87-010-185-080		C-CAP,S 3900P-50 B
C307	87-016-299-080		CAP,E 10-100 SME	C542	87-010-185-080		C-CAP,S 3900P-50 B
C308	87-016-299-080		CAP,E 10-100 SME	C547	87-010-404-080		CAP, ELECT 4.7-50V
C309	87-010-260-080		CAP, ELECT 47-25V	C548	87-010-404-080		CAP, ELECT 4.7-50V
C310	87-010-260-080		CAP, ELECT 47-25V	C549	87-016-081-080		C-CAP,S 0.1-16 RK
C311	87-010-322-080		C-CAP,S 100P-50 CH	C550	87-016-081-080		C-CAP,S 0.1-16 RK
C312	87-010-322-080		C-CAP,S 100P-50 CH	C554	87-010-196-080		CHIP CAPACITOR, 0.1-25
C315	87-A10-897-080		CAP,E 100-25 BP SME	C555	87-010-405-080		CAP, ELECT 10-50V
C316	87-A10-897-080		CAP,E 100-25 BP SME	C556	87-010-248-080		CAP, ELECT 220-10V
C317	87-A10-516-080		C-CAP,S 100P-200 J CH	C557	87-010-405-080		CAP, ELECT 10-50V
C318	87-A10-516-080		C-CAP,S 100P-200 J CH	C559	87-010-183-080		C-CAP,S 2700P-50 B
C319	87-010-545-080		CAP, ELECT 0.22-50V	C561	87-012-140-080		CAP 470P
C321	87-010-805-080		CAP, S 1-16	C562	87-012-140-080		CAP 470P
C322	87-010-805-080		CAP, S 1-16	C565	87-010-404-080		CAP, ELECT 4.7-50V
C323	87-010-402-080		CAP, ELECT 2.2-50V	C566	87-010-404-080		CAP, ELECT 4.7-50V
C324	87-010-402-080		CAP, ELECT 2.2-50V	C605	87-010-405-080		CAP, ELECT 10-50V
C325	87-010-196-080		CHIP CAPACITOR, 0.1-25	C606	87-010-405-080		CAP, ELECT 10-50V
C327	87-010-178-080		CHIP CAP 1000P	C701	87-010-260-080		CAP, ELECT 47-25V
C328	87-010-178-080		CHIP CAP 1000P	C702	87-010-404-080		CAP, ELECT 4.7-50V
C330	87-010-992-080		C-CAP,S 0.047-25 K B	C723	87-010-401-080		CAP, ELECT 1-50V
C331	87-010-992-080		C-CAP,S 0.047-25 K B	C726	87-010-401-080		CAP, ELECT 1-50V
C334	87-A10-918-080		CAP,E 100-16 SMG	C745	87-012-368-080		C-CAP,S 0.1-50 F
C335	87-A10-918-080		CAP,E 100-16 SMG	C750	87-010-196-080		CHIP CAPACITOR, 0.1-25
C385	87-010-186-080		CAP,CHIP 4700P	C766	87-012-286-080		CAP, U 0.01-25
C391	87-012-368-080		C-CAP,S 0.1-50 F	C901	87-010-406-080		CAP, ELECT 22-50
C392	87-012-368-080		C-CAP,S 0.1-50 F	C902	87-010-406-080		CAP, ELECT 22-50
C393	87-012-368-080		C-CAP,S 0.1-50 F	C903	87-010-406-080		CAP, ELECT 22-50
C394	87-012-368-080		C-CAP,S 0.1-50 F	C904	87-010-406-080		CAP, ELECT 22-50
C395	87-010-190-080		S CHIP F 0.01	C905	87-010-406-080		CAP, ELECT 22-50
C396	87-010-190-080		S CHIP F 0.01	C906	87-010-260-080		CAP, ELECT 47-25V
C402	87-010-181-080		CAP,CHIP S 1800P	C907	87-010-196-080		CHIP CAPACITOR, 0.1-25
C404	87-010-178-080		CHIP CAP 1000P	C908	87-010-387-080		CAP,E 470-25 SME
C405	87-010-406-080		CAP, ELECT 22-50	C909	87-010-371-080		CAP, ELECT 470-6.3V
C406	87-010-322-080		C-CAP,S 100P-50 CH	C910	87-010-371-080		CAP, ELECT 470-6.3V
C408	87-A10-897-080		CAP,E 100-25 BP SME	C911	87-010-371-080		CAP, ELECT 470-6.3V
C409	87-A10-516-080		C-CAP,S 100P-200 J CH	C912	87-010-196-080		CHIP CAPACITOR, 0.1-25
C410	87-010-805-080		CAP, S 1-16	C913	87-010-196-080		CHIP CAPACITOR, 0.1-25
C411	87-010-805-080		CAP, S 1-16	C914	87-010-196-080		CHIP CAPACITOR, 0.1-25
C412	87-010-402-080		CAP, ELECT 2.2-50V	CN110	87-009-032-010		CONNECTOR, 4P YEL
C413	87-010-196-080		CHIP CAPACITOR, 0.1-25	CN501	87-A60-039-010		CONN, 32P V 9604S-32C
C414	87-010-178-080		CHIP CAP 1000P	CN503	87-A60-057-010		CONN, 11P V 9604S-11C
C415	87-016-299-080		CAP,E 10-100 SME	CN504	87-099-567-010		CONN, 10P TUC-P10P-B1
C416	87-016-299-080		CAP,E 10-100 SME	CN505	87-099-570-010		CONN, 13P TUC-P13P-B1
C485	87-010-186-080		CAP,CHIP 4700P	CN702	87-099-568-010		CONN, 11P TUC-P11P-B1
C491	87-012-368-080		C-CAP,S 0.1-50 F	J201	87-A60-199-010		TERMINAL, SP 8P CJ-9034-07 V0
C492	87-012-368-080		C-CAP,S 0.1-50 F	J301	87-A60-200-110		TERMINAL, SP 6P CJ-9033
C493	87-010-190-080		S CHIP F 0.01	J501	87-A60-606-010		JACK, PIN 3P R/W/Y W/O SW H
C501	87-010-404-080		CAP, ELECT 4.7-50V	J502	87-099-609-010		JACK, PIN 4P KM EARTH
C502	87-010-404-080		CAP, ELECT 4.7-50V	J715	87-A60-244-010		JACK, PIN 1P BLK
C503	87-012-157-080		C-CAP,S 330P-50 CH	J750	87-A60-660-010		JACK, PIN 6P W/R, W/R, B/O(G)
C504	87-012-157-080		C-CAP,S 330P-50 CH	J901	87-099-911-010		JACK, PIN 3P YEL
C511	87-010-404-080		CAP, ELECT 4.7-50V	J902	87-099-912-010		JACK, PIN 3P YEL W/E
C512	87-010-404-080		CAP, ELECT 4.7-50V	J903	87-099-911-010		JACK, PIN 3P YEL
C513	87-010-260-080		CAP, ELECT 47-25V	J904	87-099-911-010		JACK, PIN 3P YEL
C514	87-010-260-080		CAP, ELECT 47-25V	J905	87-099-911-010		JACK, PIN 3P YEL
C515	87-010-370-080		CAP,E 330-6.3 SME	L107	87-008-501-080		FLTR, DSS306-B101

REF. NO	PART NO.	KANRI NO.	DESCRIPTION	REF. NO	PART NO.	KANRI NO.	DESCRIPTION
L291	87-003-383-010		COIL,1UH-S	C830	87-010-546-080		CAP, ELECT 0.33-50V
L292	87-003-383-010		COIL,1UH-S	C831	87-010-971-080		C-CAP,S 4700P-50 B J
L293	87-003-383-010		COIL,1UH-S	C832	87-012-349-080		C-CAP,S 1000P-50 CH
L294	87-003-383-010		COIL,1UH-S	C837	87-010-971-080		C-CAP,S 4700P-50 B J
L391	87-003-383-010		COIL,1UH-S	C838	87-012-349-080		C-CAP,S 1000P-50 CH
L392	87-003-383-010		COIL,1UH-S	C839	87-010-401-080		CAP, ELECT 1-50V
L491	87-003-383-010		COIL,1UH-S	C840	87-010-401-080		CAP, ELECT 1-50V
L901	87-003-152-080		COIL, 100UH	C841	87-A10-799-080		C-CAP,S 5600P-16 J B CM
▲PR104	87-026-691-080		FUSE,10A 125V 251	C842	87-A10-802-080		C-CAP,S 0.047-16 J B CM
▲PR107	87-026-691-080		FUSE,10A 125V 251	C843	87-A10-229-080		C-CAP,S 0.68-10 K W5
▲PR108	87-026-691-080		FUSE,10A 125V 251	C844	87-012-393-080		C-CAP,S 0.22-16 R K
▲PR201	87-026-691-080		FUSE,10A 125V 251	C845	87-012-393-080		C-CAP,S 0.22-16 R K
▲PR202	87-026-691-080		FUSE,10A 125V 251	C846	87-010-404-080		CAP, ELECT 4.7-50V
▲PR301	87-026-691-080		FUSE,10A 125V 251	C847	87-010-404-080		CAP, ELECT 4.7-50V
▲PR302	87-026-691-080		FUSE,10A 125V 251	C848	87-012-393-080		C-CAP,S 0.22-16 R K
▲PR401	87-026-691-080		FUSE,10A 125V 251	C849	87-012-393-080		C-CAP,S 0.22-16 R K
▲PR402	87-026-691-080		FUSE,10A 125V 251	C850	87-016-081-080		C-CAP,S 0.1-16 RK
R211	87-A00-418-010		RES,M/F 0.15-3W J	C851	87-A10-802-080		C-CAP,S 0.047-16 J B CM
R212	87-A00-418-010		RES,M/F 0.15-3W J	C852	87-A10-802-080		C-CAP,S 0.047-16 J B CM
R231	87-A00-418-010		RES,M/F 0.15-3W J	C853	87-016-081-080		C-CAP,S 0.1-16 RK
R232	87-A00-418-010		RES,M/F 0.15-3W J	C854	87-016-081-080		C-CAP,S 0.1-16 RK
R233	87-A00-418-010		RES,M/F 0.15-3W J	C855	87-A10-801-080		C-CAP,S 0.022-16 J B CM
R234	87-A00-418-010		RES,M/F 0.15-3W J	C856	87-A10-801-080		C-CAP,S 0.022-16 J B CM
R331	87-A00-418-010		RES,M/F 0.15-3W J	C857	87-016-081-080		C-CAP,S 0.1-16 RK
R332	87-A00-418-010		RES,M/F 0.15-3W J	C861	87-016-081-080		C-CAP,S 0.1-16 RK
R333	87-A00-418-010		RES,M/F 0.15-3W J	C862	87-010-263-080		CAP, ELECT 100-10V
R334	87-A00-418-010		RES,M/F 0.15-3W J	C863	87-016-081-080		C-CAP,S 0.1-16 RK
R416	87-A00-418-010		RES,M/F 0.15-3W J	C864	87-010-263-080		CAP, ELECT 100-10V
R417	87-A00-418-010		RES,M/F 0.15-3W J	C865	87-012-393-080		C-CAP,S 0.22-16 R K
R424	87-A00-418-010		RES,M/F 0.15-3W J	C867	87-A10-201-080		C-CAP,S0.33-16 KB
R590	87-A00-418-010		RES,M/F 0.15-3W J	C868	87-A10-060-080		C-CAP,S 0.18-16 K B
R611	87-A00-418-010		RES,M/F 0.15-3W J	C869	87-010-166-080		C-CAP,S 100P-50 SL
RY281	87-A90-143-010		RELAY,DG12D-OS(M)	C870	87-010-166-080		C-CAP,S 100P-50 SL
RY481	87-A90-143-010		RELAY,DG12D-OS(M)	C871	87-010-166-080		C-CAP,S 100P-50 SL
RY801	87-A90-143-010		RELAY,DG12D-OS(M)	C878	87-010-401-080		CAP, ELECT 1-50V
S291	87-A90-174-010		SW,PUSH 2-2-2	C891	87-010-401-080		CAP, ELECT 1-50V
S292	87-A90-174-010		SW,PUSH 2-2-2	C892	87-010-401-080		CAP, ELECT 1-50V
W3	8Z-AR2-606-010		CONN ASSY,9P VH	C893	87-010-401-080		CAP, ELECT 1-50V
WH101	87-A90-510-010		HLD R,WIRE 2.5-9P	CN801	87-099-556-010		CONN,10P TUC-P10X-B1
				CN802	87-099-559-010		CONN,13P TUC-P13X-B1

PROLOGIC C.B

C801	87-010-176-080		C-CAP,S 680P-50 SL
C802	87-010-176-080		C-CAP,S 680P-50 SL
C803	87-010-949-080		CHIP CAPACITOR,S 0.01-50 BJ
C804	87-010-949-080		CHIP CAPACITOR,S 0.01-50 BJ
C805	87-010-949-080		CHIP CAPACITOR,S 0.01-50 BJ
C806	87-010-949-080		CHIP CAPACITOR,S 0.01-50 BJ
C807	87-010-405-080		CAP, ELECT 10-50V
C808	87-010-405-080		CAP, ELECT 10-50V
C809	87-016-081-080		C-CAP,S 0.1-16 RK
C810	87-010-112-080		CAP, ELECT 100-16V
C811	87-010-402-080		CAP, ELECT 2.2-50V
C812	87-010-401-080		CAP, ELECT 1-50V
C814	87-010-401-080		CAP, ELECT 1-50V
C815	87-010-546-080		CAP, ELECT 0.33-50V
C816	87-010-546-080		CAP, ELECT 0.33-50V
C817	87-010-221-080		CAP, ELECT 470-10V
C818	87-010-404-080		CAP, ELECT 4.7-50V
C819	87-010-188-080		CAP,CHIP 6800P
C820	87-010-374-080		CAP, ELECT 47-10V
C821	87-016-081-080		C-CAP,S 0.1-16 RK
C822	87-016-083-080		C-CAP,S 0.15-16 RK
C823	87-010-263-080		CAP, ELECT 100-10V
C824	87-010-374-080		CAP, ELECT 47-10V
C825	87-016-081-080		C-CAP,S 0.1-16 RK
C826	87-010-166-080		C-CAP,S 100P-50 SL
C827	87-010-166-080		C-CAP,S 100P-50 SL
C828	87-010-166-080		C-CAP,S 100P-50 SL
C829	87-010-544-080		CAP, ELECT 0.1-50V

FRONT C.B

C101	87-018-131-080		CAP, CER 1000P-50V
C103	87-010-178-080		CHIP CAP 1000P
C105	87-016-526-080		C-CAP,S 0.47-16 BK
C107	87-016-526-080		C-CAP,S 0.47-16 BK
C108	87-016-526-080		C-CAP,S 0.47-16 BK
C109	87-010-322-080		C-CAP,S 100P-50 CH
C110	87-010-322-080		C-CAP,S 100P-50 CH
C111	87-015-699-040		CAP,E 10-50 7L
C112	87-010-322-080		C-CAP,S 100P-50 CH
C113	87-010-322-080		C-CAP,S 100P-50 CH
C114	87-010-322-080		C-CAP,S 100P-50 CH
C115	87-010-322-080		C-CAP,S 100P-50 CH
C116	87-015-699-040		CAP,E 10-50 7L
C117	87-016-526-080		C-CAP,S 0.47-16 BK
C118	87-010-498-040		CAP,E 10-16 GAS
C120	87-015-694-040		E/CAP 0.47-50
C121	87-016-526-080		C-CAP,S 0.47-16 BK
C122	87-015-699-040		CAP,E 10-50 7L
C123	87-010-196-080		CHIP CAPACITOR,0.1-25
C124	87-015-699-040		CAP,E 10-50 7L
C125	87-010-196-080		CHIP CAPACITOR,0.1-25
C126	87-A10-189-040		CAP,E 220-10
C127	87-016-526-080		C-CAP,S 0.47-16 BK
C128	87-015-695-040		E/CAP 1UF 50V TAPG
C129	87-010-196-080		CHIP CAPACITOR,0.1-25
C130	87-010-198-080		CAP, CHIP 0.022
C131	87-010-408-080		CAP, ELECT 47-50V

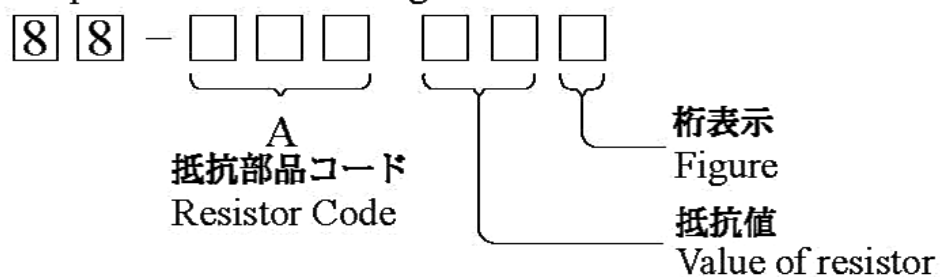
REF. NO	PART NO.	KANRI NO.	DESCRIPTION	REF. NO	PART NO.	KANRI NO.	DESCRIPTION
C132	87-012-368-080		C-CAP,S 0.1-50 F	S107	87-A90-095-080		SW, TACT EVQ11G04M
C133	87-016-526-080		C-CAP,S 0.47-16 BK	S108	87-A90-095-080		SW, TACT EVQ11G04M
C134	87-010-196-080		CHIP CAPACITOR, 0.1-25	S109	87-A90-095-080		SW, TACT EVQ11G04M
C135	87-012-368-080		C-CAP,S 0.1-50 F	S111	87-A90-095-080		SW, TACT EVQ11G04M
C136	87-016-526-080		C-CAP,S 0.47-16 BK	S112	87-A90-095-080		SW, TACT EVQ11G04M
C137	87-010-312-080		C-CAP,S 15P-50 CH	S113	87-A90-095-080		SW, TACT EVQ11G04M
C138	87-010-318-080		C-CAP,S 47P-50 CH	S114	87-A90-095-080		SW, TACT EVQ11G04M
C139	87-010-316-080		C-CAP,S 33P-50 CH	S115	87-A90-095-080		SW, TACT EVQ11G04M
C140	87-010-196-080		CHIP CAPACITOR, 0.1-25	S116	87-A90-095-080		SW, TACT EVQ11G04M
C141	87-012-156-080		C-CAP,S 220P-50 CH	SW101	87-A90-535-010		SW, RTRY EC16B24304
C142	87-010-198-080		CAP, CHIP 0.022	X101	87-A70-075-080		VIB, CER 4.19MHZ CRHF
C143	87-012-156-080		C-CAP,S 220P-50 CH				
C144	87-010-178-080		CHIP CAP 1000P				
C145	87-012-157-080		C-CAP,S 330P-50 CH	GEQ C.B			
C146	87-012-157-080		C-CAP,S 330P-50 CH				
C147	87-012-157-080		C-CAP,S 330P-50 CH	C758	87-010-404-080		CAP, ELECT 4.7-50V
C148	87-012-157-080		C-CAP,S 330P-50 CH	C759	87-012-368-080		C-CAP,S 0.1-50 F
C149	87-012-157-080		C-CAP,S 330P-50 CH	C761	87-010-198-080		CAP, CHIP 0.022
C150	87-012-157-080		C-CAP,S 330P-50 CH	C762	87-010-197-080		CAP, CHIP 0.01 DM
C153	87-012-368-080		C-CAP,S 0.1-50 F	C764	87-010-185-080		C-CAP,S 3900P-50 B
C154	87-012-368-080		C-CAP,S 0.1-50 F	C765	87-010-194-080		CAP, CHIP 0.047
C155	87-012-157-080		C-CAP,S 330P-50 CH	C766	87-010-181-080		CAP,CHIP S 1800P
C156	87-015-699-040		CAP,E 10-50 7L	C767	87-010-198-080		CAP, CHIP 0.022
C157	87-012-157-080		C-CAP,S 330P-50 CH	C768	87-010-994-080		C-CAP,S 680P-50 CH
C158	87-012-368-080		C-CAP,S 0.1-50 F	C769	87-010-188-080		CAP,CHIP 6800P
C160	87-012-157-080		C-CAP,S 330P-50 CH	C770	87-012-145-080		CAP, CHIP S 270P CH
C162	87-010-182-080		C-CAP,S 2200P-50 B	C771	87-010-183-080		C-CAP,S 2700P-50 B
C164	87-A10-189-040		CAP,E 220-10	C772	87-012-145-080		CAP, CHIP S 270P CH
C170	87-012-157-080		C-CAP,S 330P-50 CH	C773	87-010-188-080		CAP,CHIP 6800P
C171	87-012-157-080		C-CAP,S 330P-50 CH	C774	87-010-994-080		C-CAP,S 680P-50 CH
C181	87-010-178-080		CHIP CAP 1000P	C775	87-010-198-080		CAP, CHIP 0.022
C182	87-010-178-080		CHIP CAP 1000P	C776	87-010-181-080		CAP,CHIP S 1800P
C183	87-010-178-080		CHIP CAP 1000P	C777	87-010-194-080		CAP, CHIP 0.047
C184	87-010-178-080		CHIP CAP 1000P	C778	87-010-185-080		C-CAP,S 3900P-50 B
C185	87-010-178-080		CHIP CAP 1000P	C780	87-010-197-080		CAP, CHIP 0.01 DM
C186	87-010-178-080		CHIP CAP 1000P	C782	87-010-183-080		C-CAP,S 2700P-50 B
C187	87-010-178-080		CHIP CAP 1000P	C783	87-010-198-080		CAP, CHIP 0.022
C188	87-010-178-080		CHIP CAP 1000P	C786	87-010-402-080		CAP, ELECT 2.2-50V
C189	87-010-178-080		CHIP CAP 1000P	C787	87-010-402-080		CAP, ELECT 2.2-50V
C190	87-010-178-080		CHIP CAP 1000P	C788	87-010-260-080		CAP, ELECT 47-25V
C240	87-016-526-080		C-CAP,S 0.47-16 BK	C789	87-010-260-080		CAP, ELECT 47-25V
C402	87-012-156-080		C-CAP,S 220P-50 CH	C790	87-010-260-080		CAP, ELECT 47-25V
C403	87-010-401-080		CAP, ELECT 1-50V	C791	87-010-405-080		CAP, ELECT 10-50V
C405	87-010-182-080		C-CAP,S 2200P-50 B	C792	87-010-405-080		CAP, ELECT 10-50V
C406	87-010-182-080		C-CAP,S 2200P-50 B	C793	87-012-368-080		C-CAP,S 0.1-50 F
C407	87-010-178-080		CHIP CAP 1000P	C794	87-012-368-080		C-CAP,S 0.1-50 F
C411	87-010-322-080		C-CAP,S 100P-50 CH	C797	87-010-322-080		C-CAP,S 100P-50 CH
C412	87-010-322-080		C-CAP,S 100P-50 CH	C798	87-010-322-080		C-CAP,S 100P-50 CH
CN201	87-A60-053-010		CONN,17P V 9604S-17C	C799	87-010-322-080		C-CAP,S 100P-50 CH
CN202	87-A60-039-010		CONN,32P V 9604S-32C	CN701	87-099-557-010		CONN,11P TUC-P11X-B1
FL101	8Z-AR1-602-010		FL,BJ691 GK	TUNER C.B			
LED101	87-A40-317-080		LED,SLR-342VCT31 RED	C701	87-010-196-080		CHIP CAPACITOR, 0.1-25
LED102	87-A40-496-040		LED,SLR-342MCT31 GRN	C702	87-010-196-080		CHIP CAPACITOR, 0.1-25
LED103	87-A40-496-040		LED,SLR-342MCT31 GRN	C703	87-012-286-080		CAP, U 0.01-25
LED104	87-A40-317-080		LED,SLR-342VCT31 RED	C704	87-012-286-080		CAP, U 0.01-25
LED105	87-A40-496-040		LED,SLR-342MCT31 GRN	C709	87-012-195-080		C-CAP,U 100P-50CH
LED106	87-A40-317-080		LED,SLR-342VCT31 RED	C711	87-010-263-080		CAP, ELECT 100-10V
LED107	87-A40-496-040		LED,SLR-342MCT31 GRN	C712	87-010-196-080		CHIP CAPACITOR, 0.1-25
LED108	87-A40-317-080		LED,SLR-342VCT31 RED	C713	87-012-286-080		CAP, U 0.01-25
LED109	87-A40-496-040		LED,SLR-342MCT31 GRN	C714	87-012-286-080		CAP, U 0.01-25
LED110	87-A40-317-080		LED,SLR-342VCT31 RED	C717	87-012-286-080		CAP, U 0.01-25
LED111	87-A40-496-040		LED,SLR-342MCT31 GRN	C719	87-012-286-080		CAP, U 0.01-25
LED112	87-A40-317-080		LED,SLR-342VCT31 RED	C721	87-012-176-080		CAP 15P
LED113	87-A40-496-040		LED,SLR-342MCT31 GRN	C722	87-012-176-080		CAP 15P
LED114	87-A40-317-080		LED,SLR-342VCT31 RED	C723	87-012-274-080		CHIP CAP,U 1000P-50B
LED115	87-A40-496-040		LED,SLR-342MCT31 GRN	C725	87-012-274-080		CHIP CAP,U 1000P-50B
LED116	87-A40-317-080		LED,SLR-342VCT31 RED	C727	87-010-196-080		CHIP CAPACITOR, 0.1-25
LED117	87-A40-496-040		LED,SLR-342MCT31 GRN	C728	87-010-248-080		CAP, ELECT 220-10V
LED119	87-A40-317-080		LED,SLR-342VCT31 RED	C755	87-012-286-080		CAP, U 0.01-25
S101	87-A90-095-080		SW, TACT EVQ11G04M				

- Regarding connectors, they are not stocked as they are not the initial order items.
The connectors are available after they are supplied from connector manufacturers upon the order is received.

○チップ抵抗部品コード/CHIP RESISTOR PART CODE

チップ抵抗部品コードの成り立ち

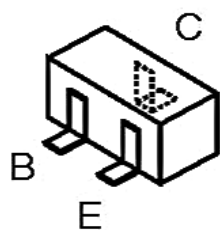
Chip Resistor Part Coding



チップ抵抗
Chip resistor

容量 Wattage	種類 Type	許容誤差 Tolerance	記号 Symbol	寸法/Dimensions (mm)			抵抗コード : A Resistor Code : A	
				外形/Form	L	W		t
1/16W	1005	± 5%	CJ		1.0	0.5	0.35	104
1/16W	1608	± 5%	CJ		1.6	0.8	0.45	108
1/10W	2125	± 5%	CJ		2	1.25	0.45	118
1/8W	3216	± 5%	CJ		3.2	1.6	0.55	128

TRANSISTOR ILLUSTRATION



2SA1037
2SA1235
2SC2714
2SC3052
2SD1306
CMBT5551
DTA144WK
DTC124EK
RT1N141C
RT1N144C
RT1P141C
RT1P144C



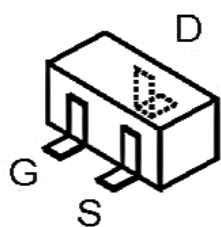
2SA1296
CC5551
DTC114ES
KTA1266GR
KTC3198GR



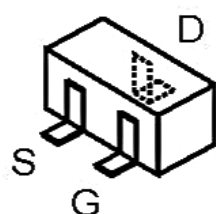
2SB1370
2SB1375
KTC3199GR



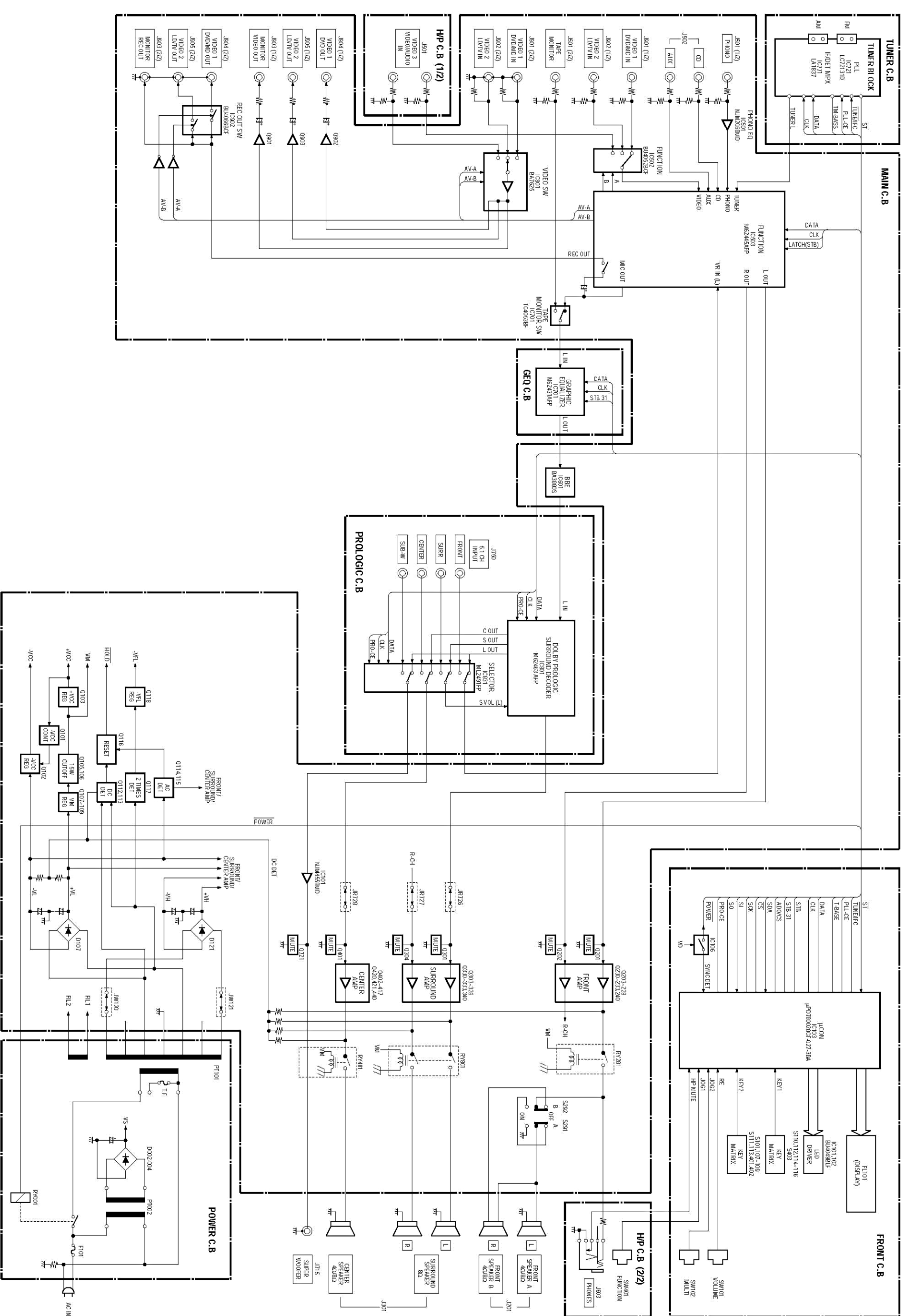
2SC4115

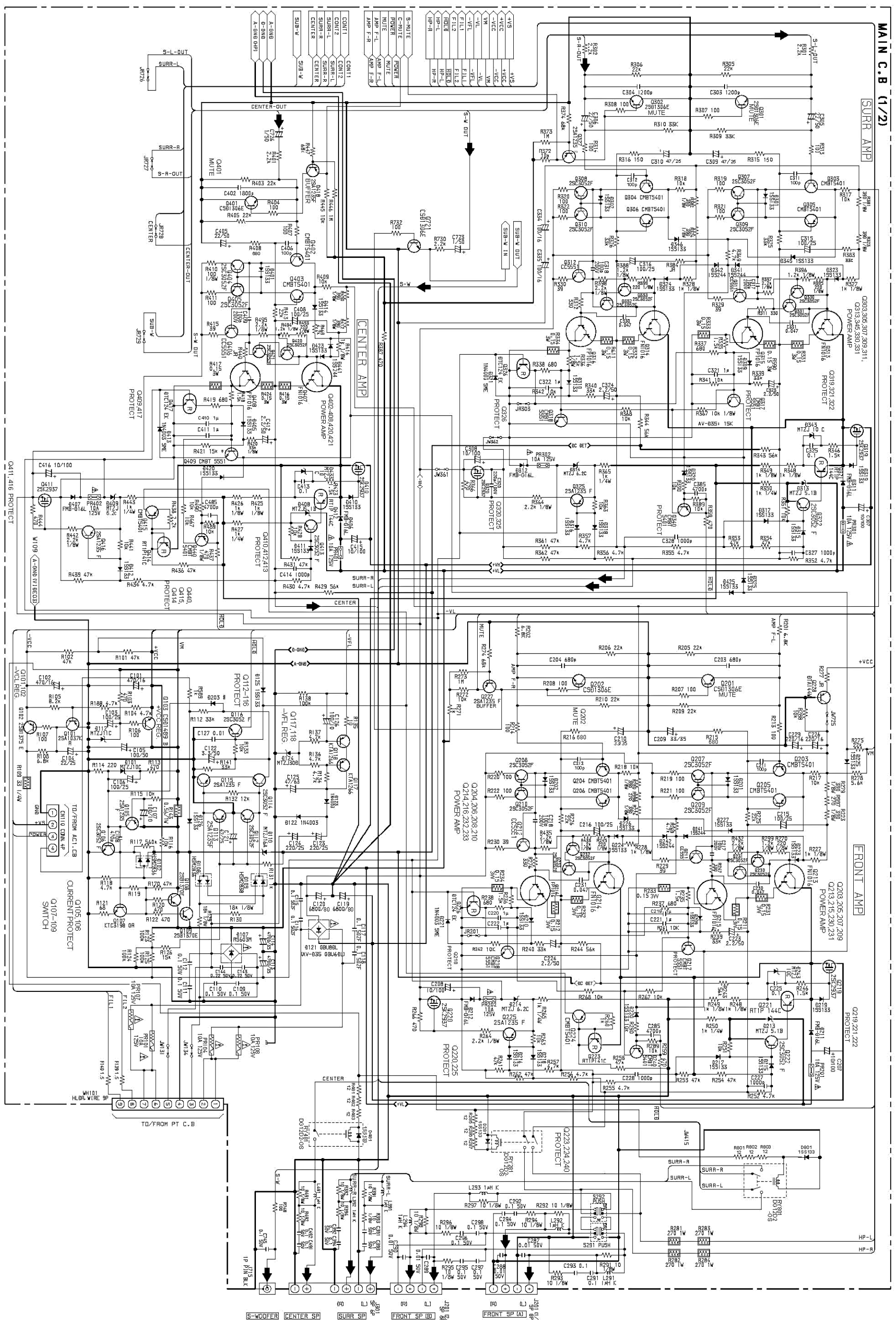


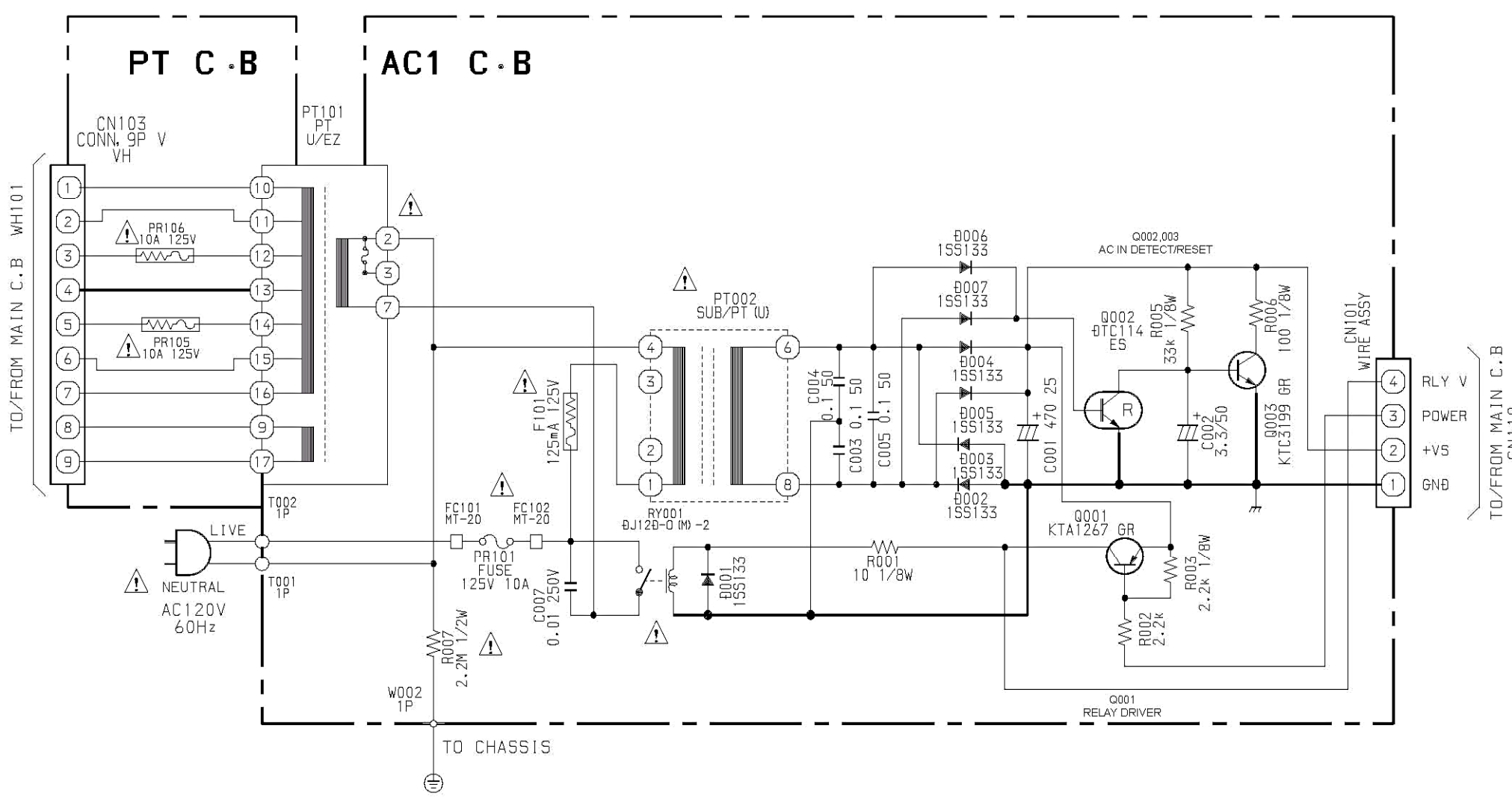
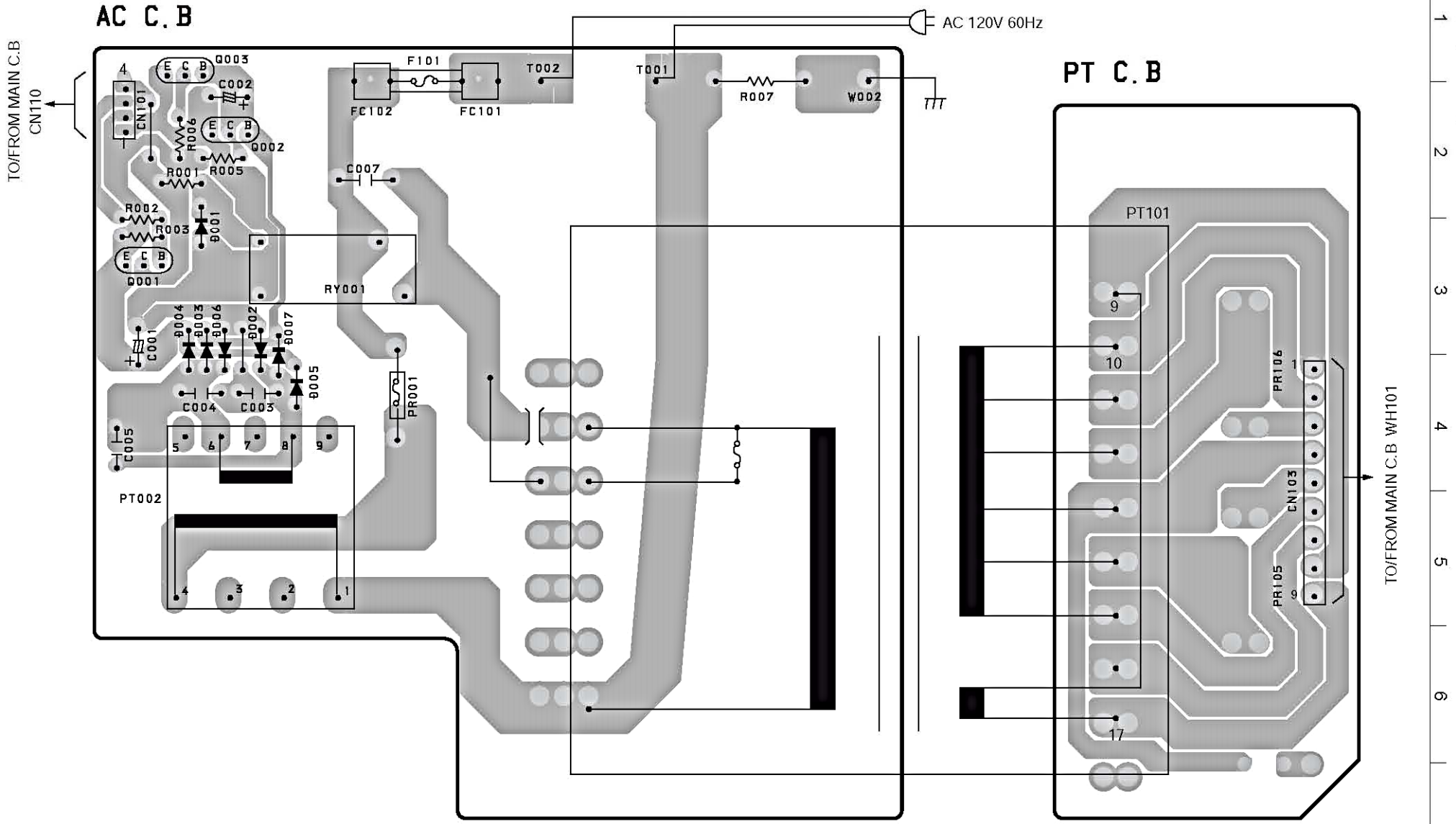
2SK2158
2SK2937

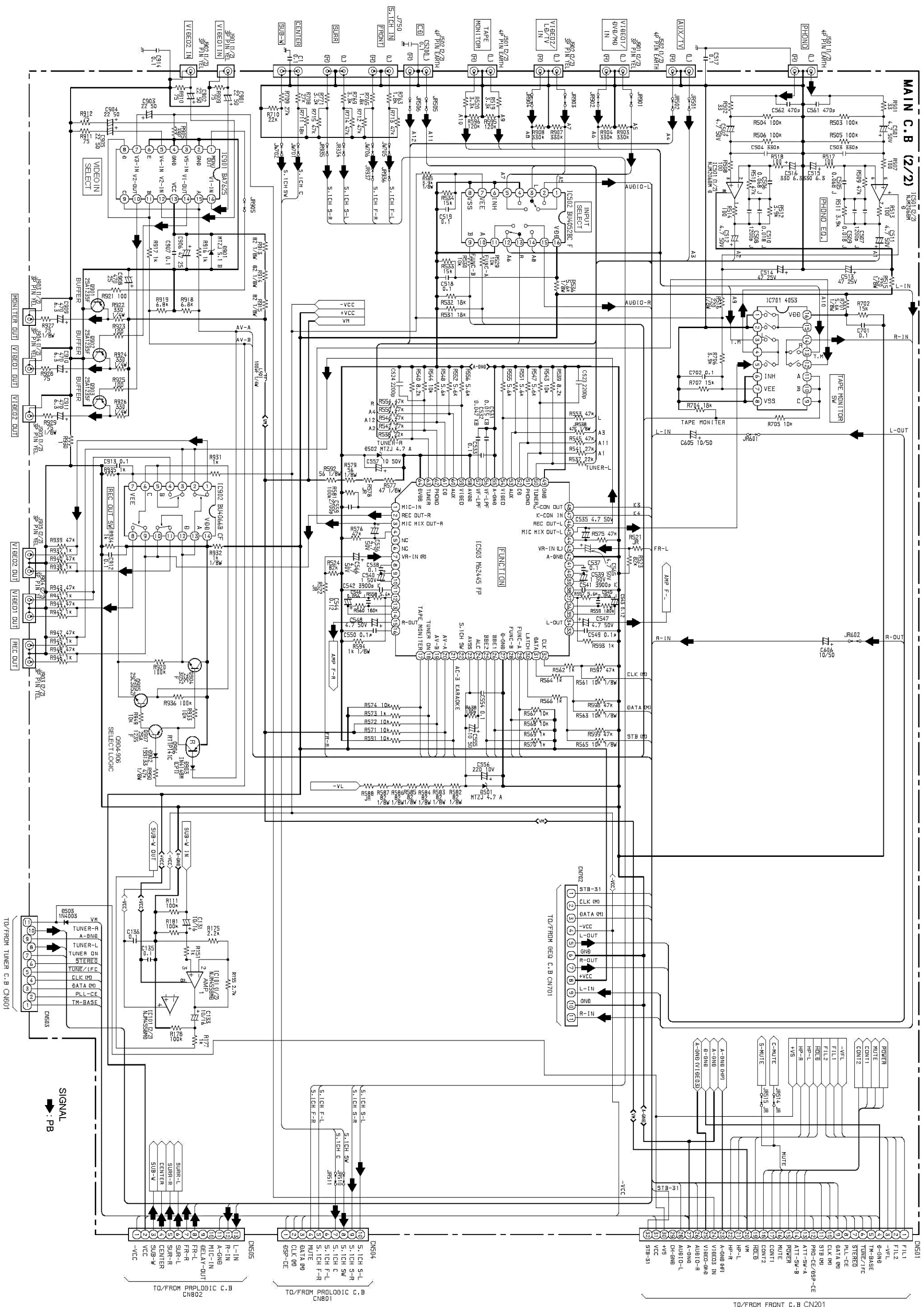


2SK360E



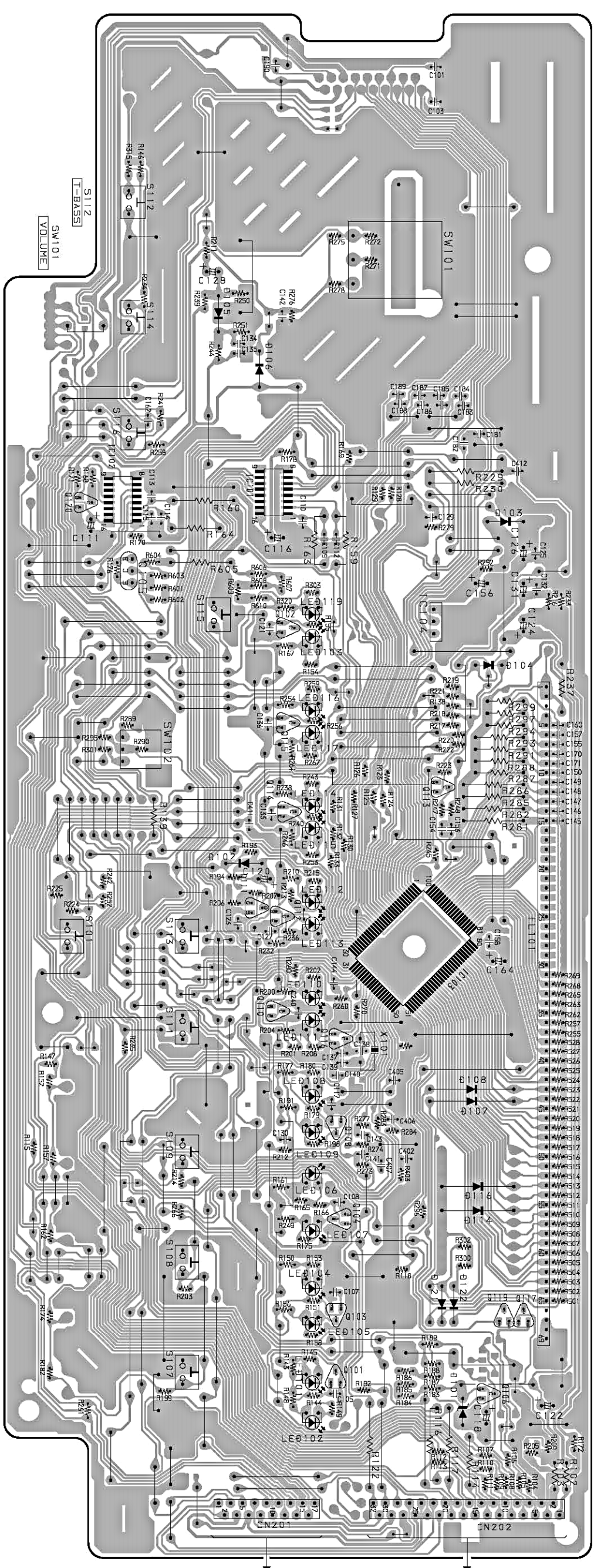






1 2 3 4 5 6 7 8 9 10 11 12 13 14

FRONT C. B

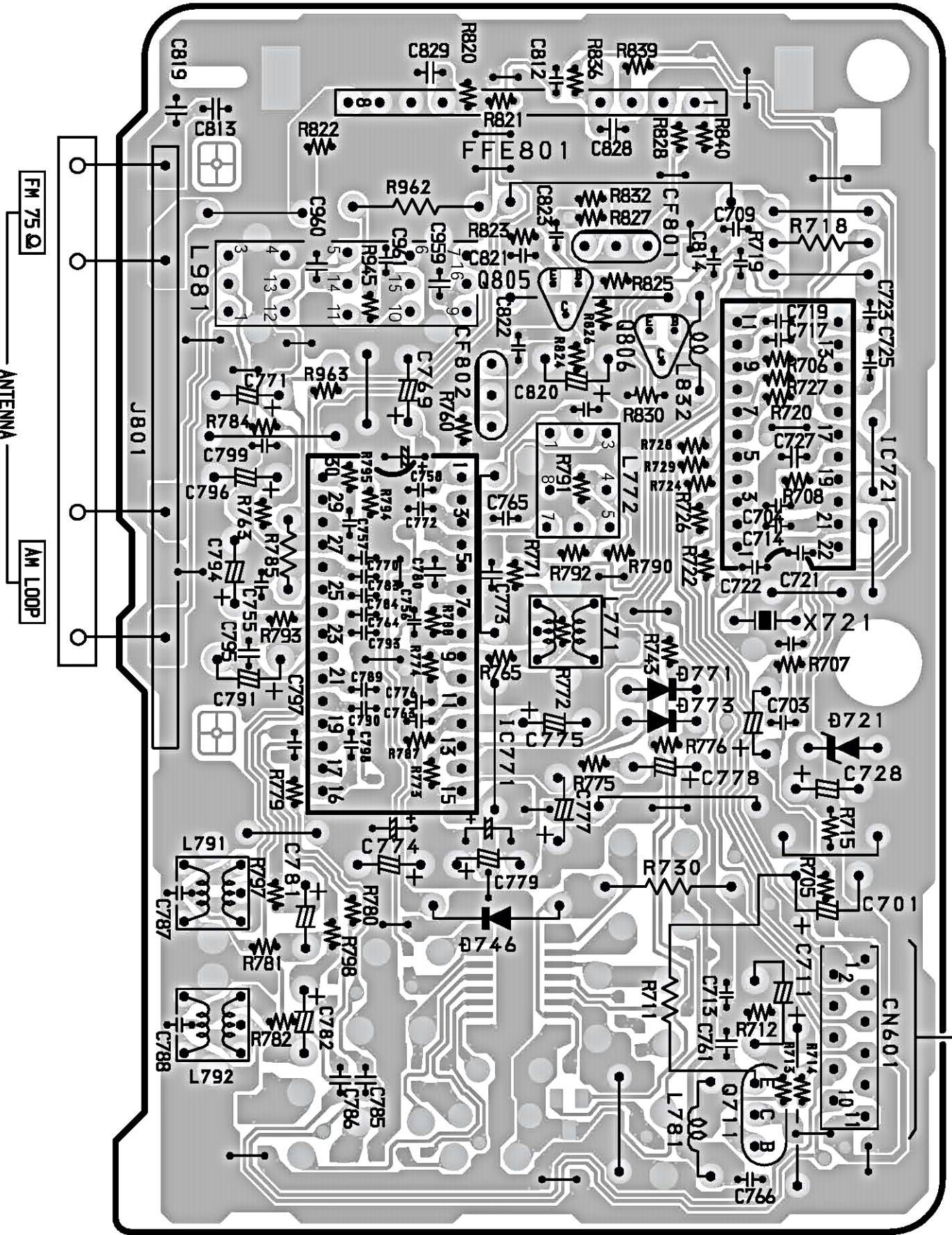


- S112 [T-BASS]
- SW101 [VOLUME]
- S114 [MUTING]
- S116 [BALANCE]
- S115 [ENTER]
- SW102 [MULTI JOG]
- S101 [DIGITAL/ANALOG BAND]
- S113 [UP]
- S111 [DOWN]
- S109 [GEO]
- S108 [DSP]
- S107 [HOLBY SURROUND]
- LED103, 119 [DIGITAL]
- LED116, 117 [VIDEO3]
- LED114, 115 [VIDEO2]
- LED112, 113 [VIDEO1]
- LED110, 111 [CB]
- LED108, 109 [AUX]
- LED106, 107 [PHONE]
- LED104, 105 [TUNER]
- LED101, 102 [TAPE MONITOR]

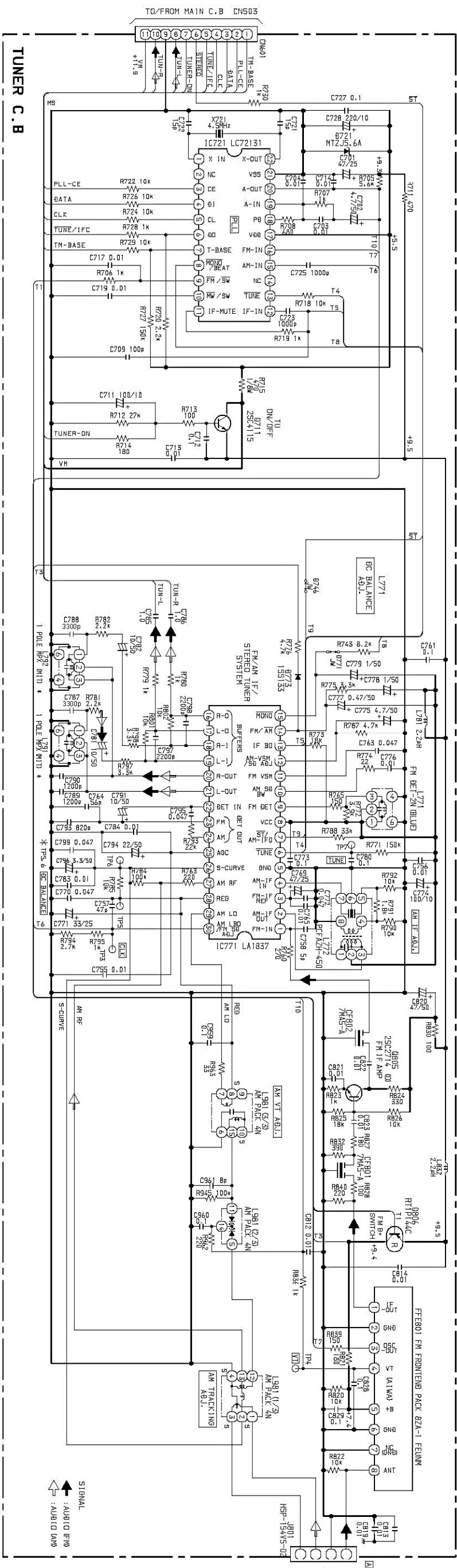
MAIN C. B CN401 MAIN C. B CN501

A B C D E F G H I J K

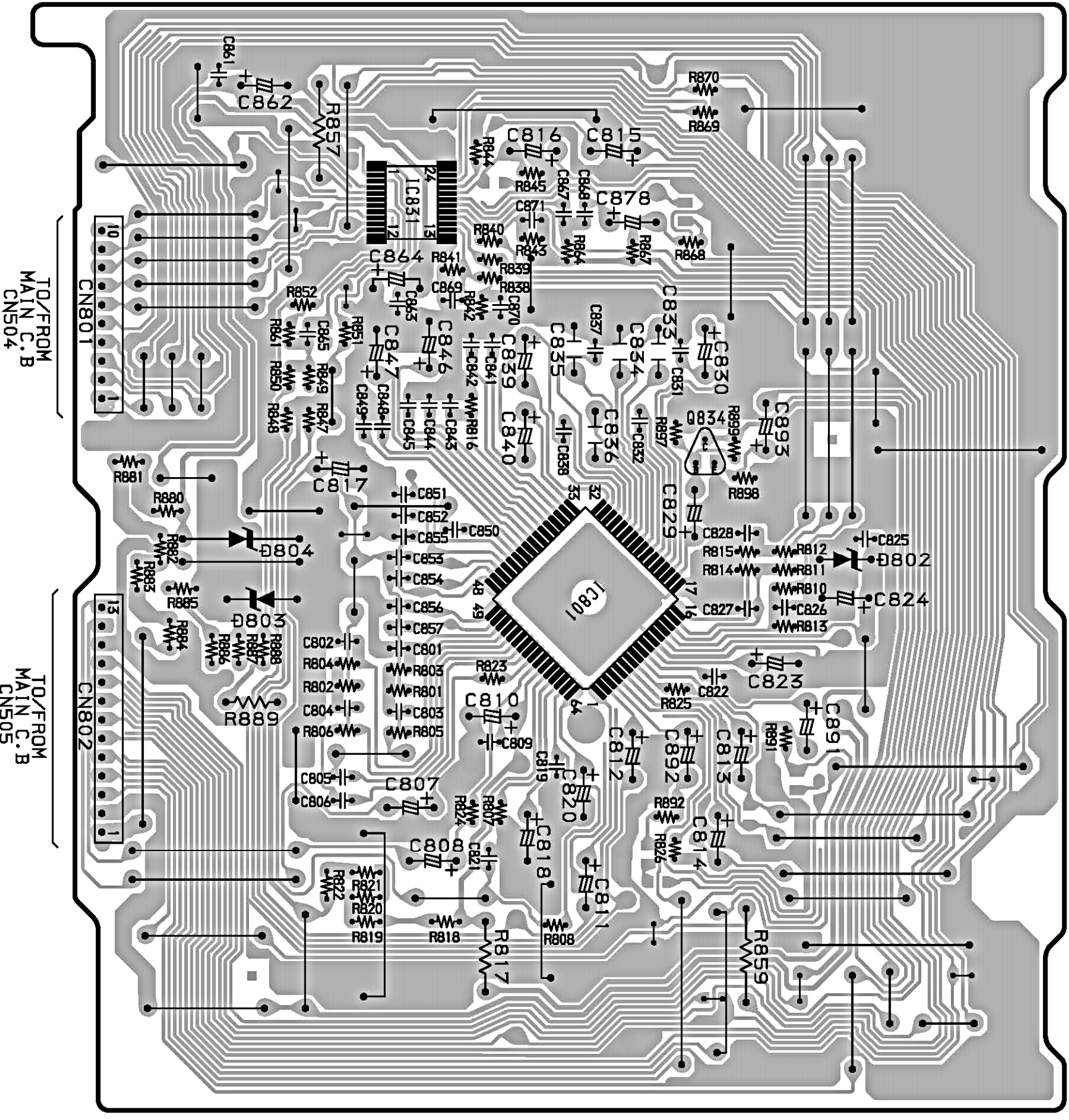
TUNER C. B



TO/FROM MAIN C.B
CN505

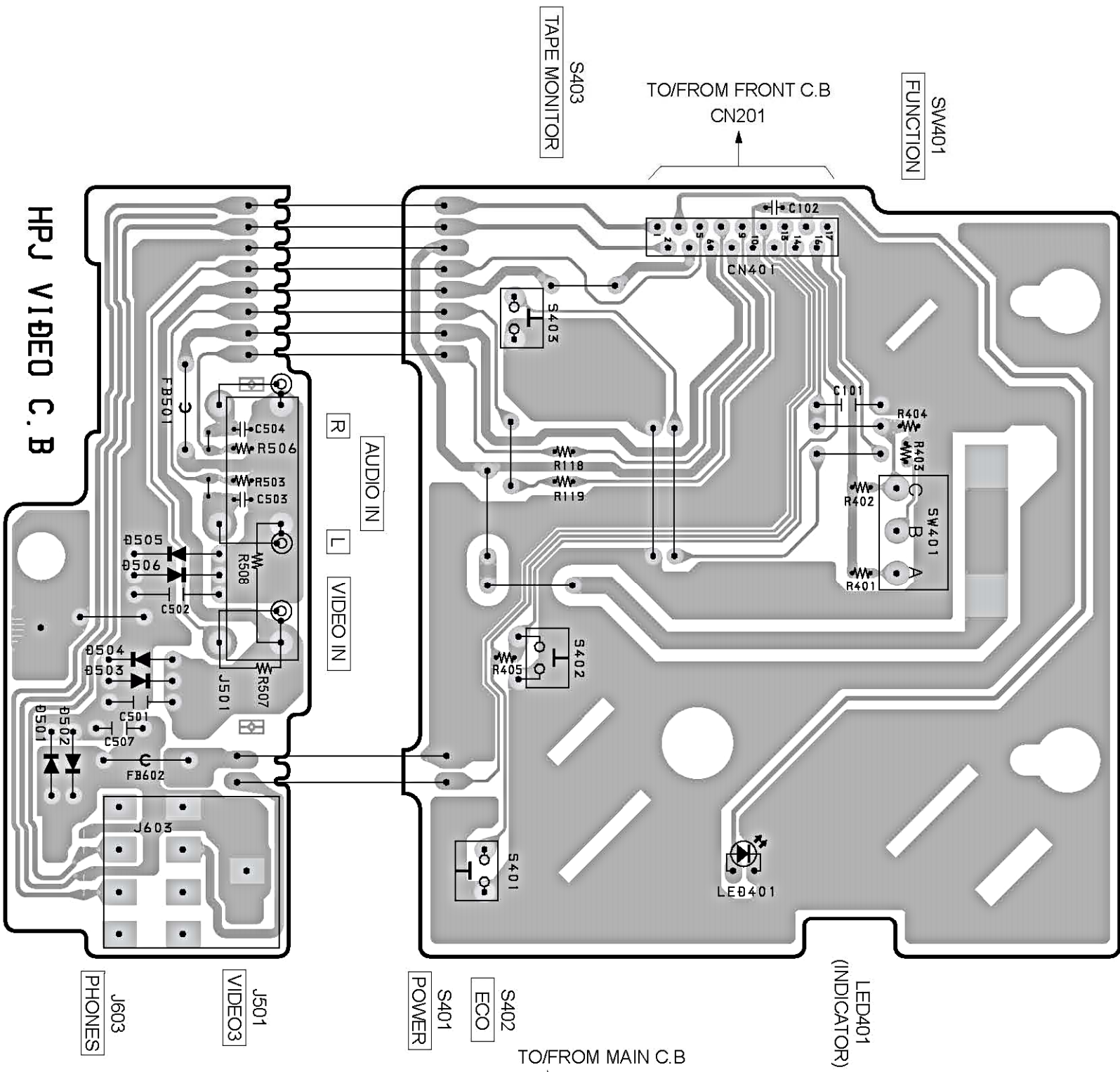


PROLOGIC C. B

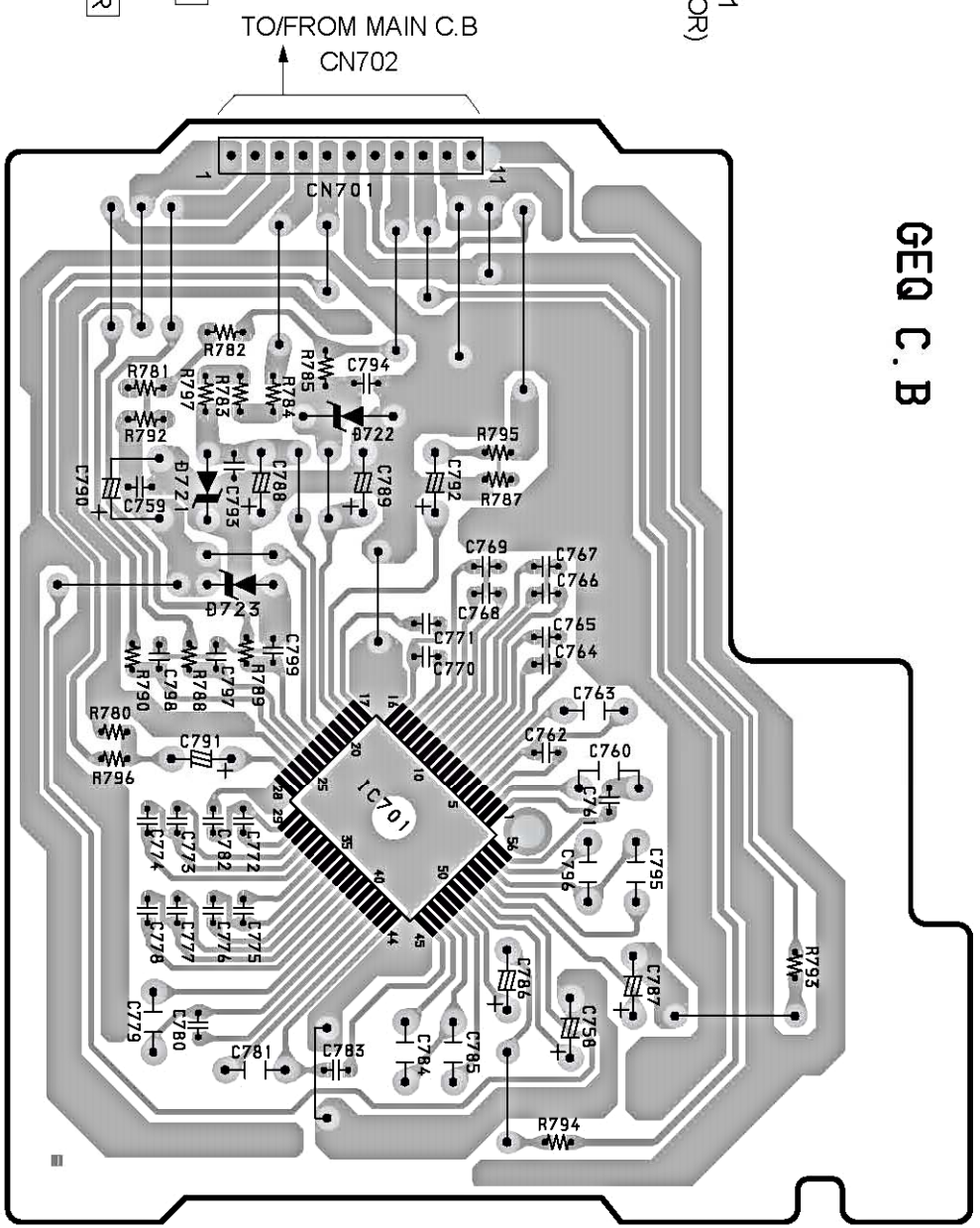


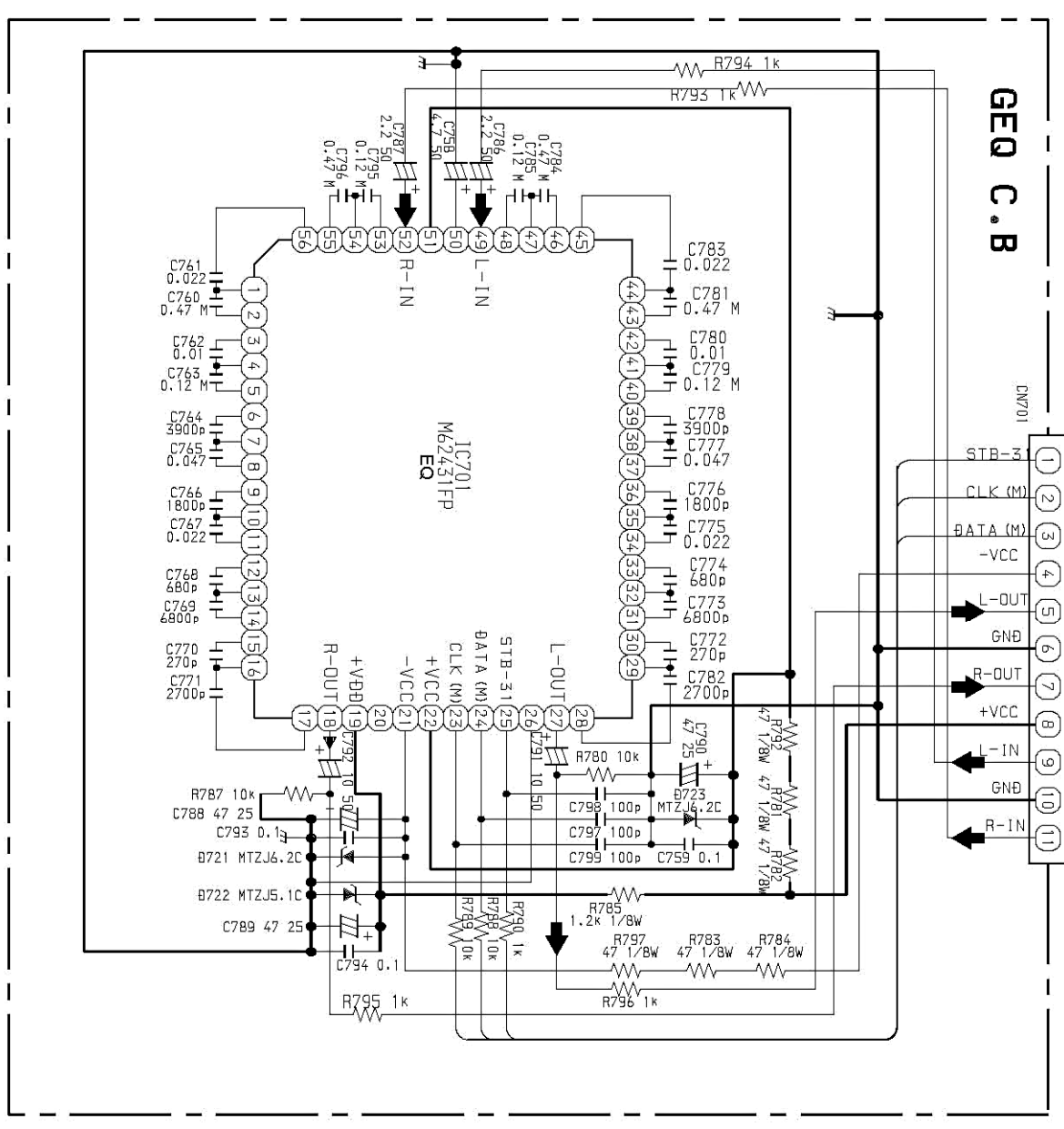
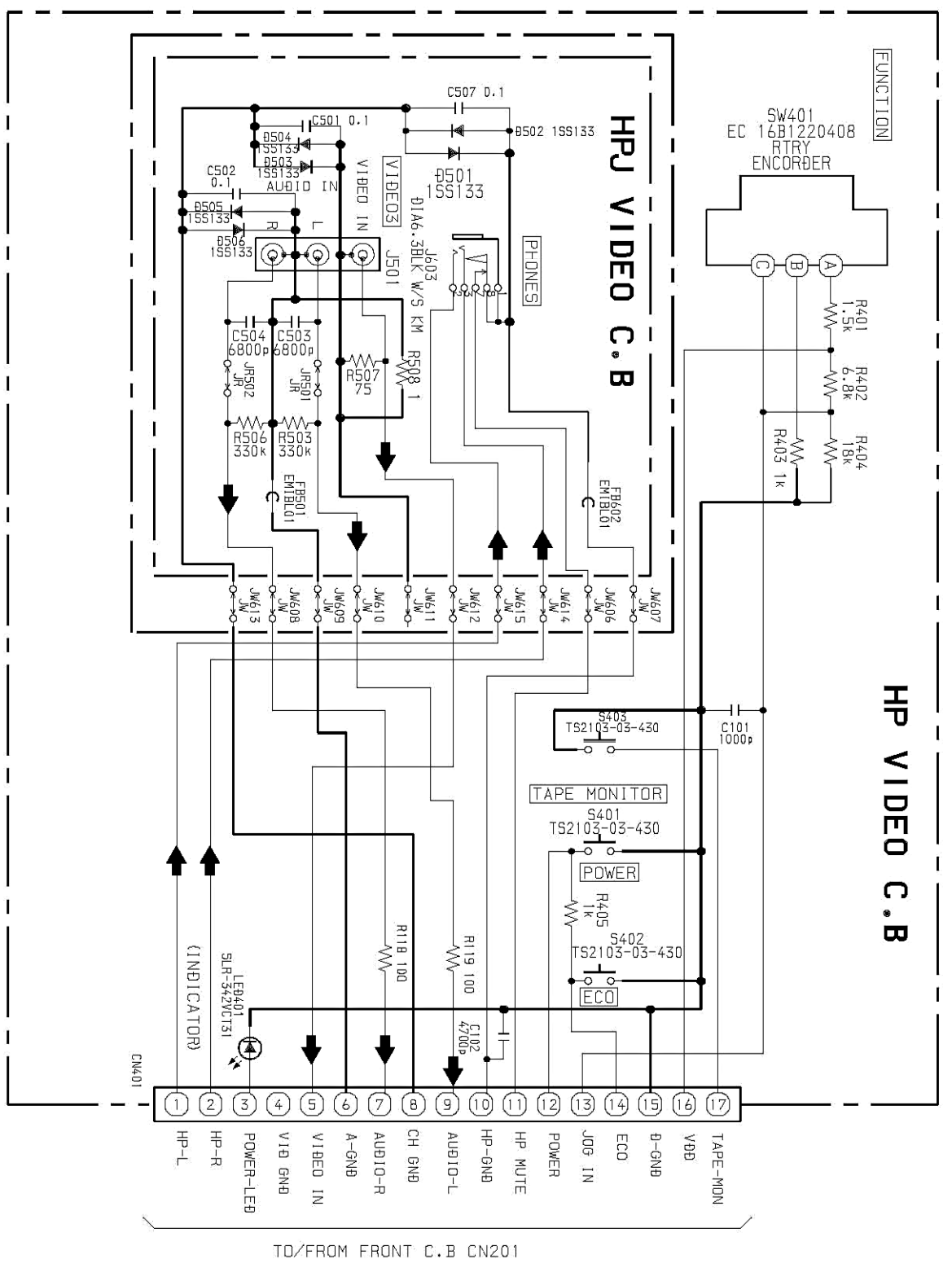
1 2 3 4 5 6 7 8 9 10 11 12 13 14

HP VIDEO C. B

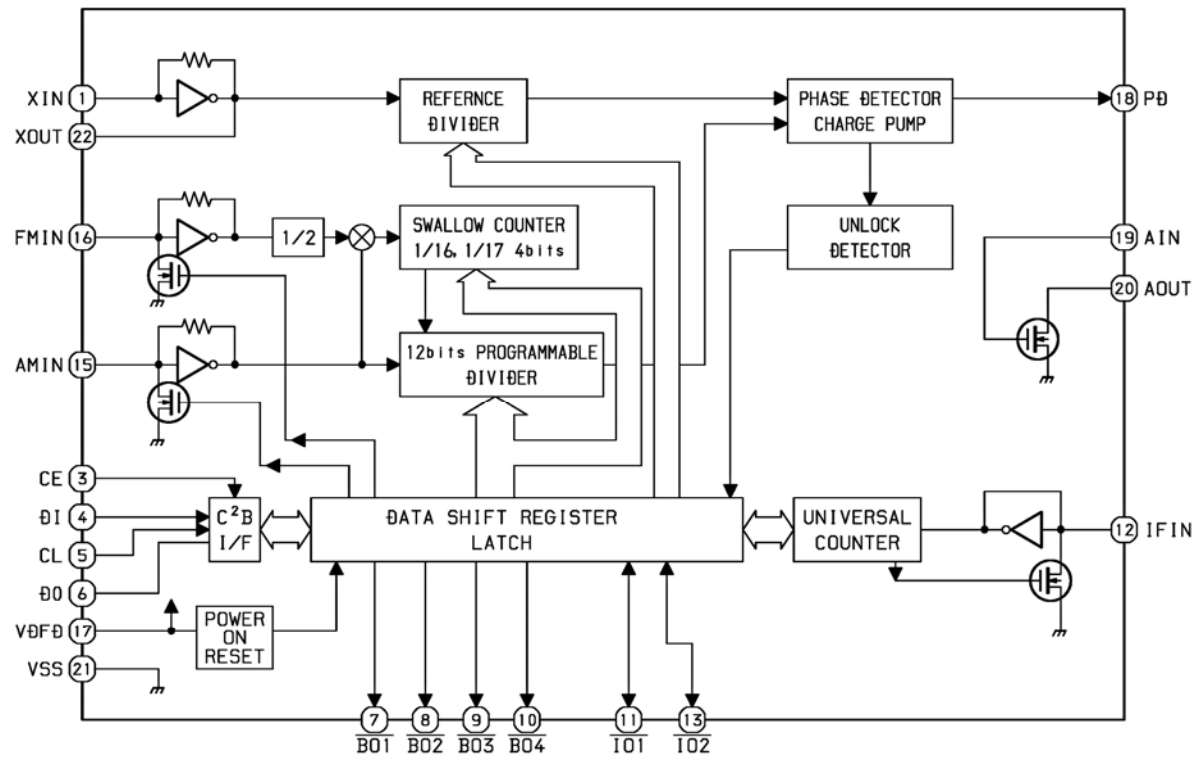


GEQ C. B

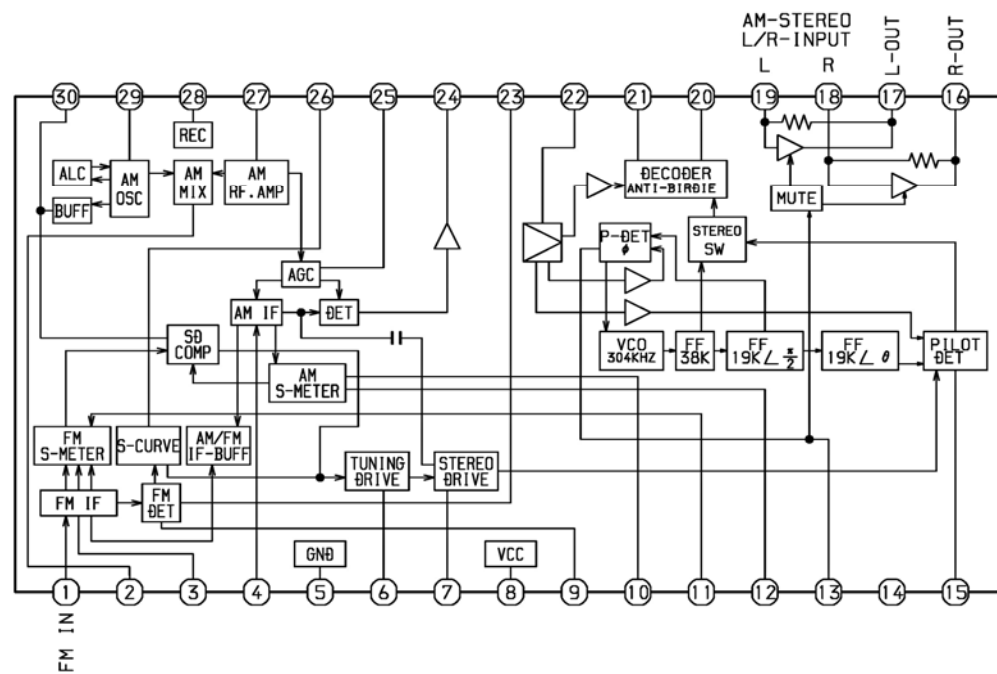




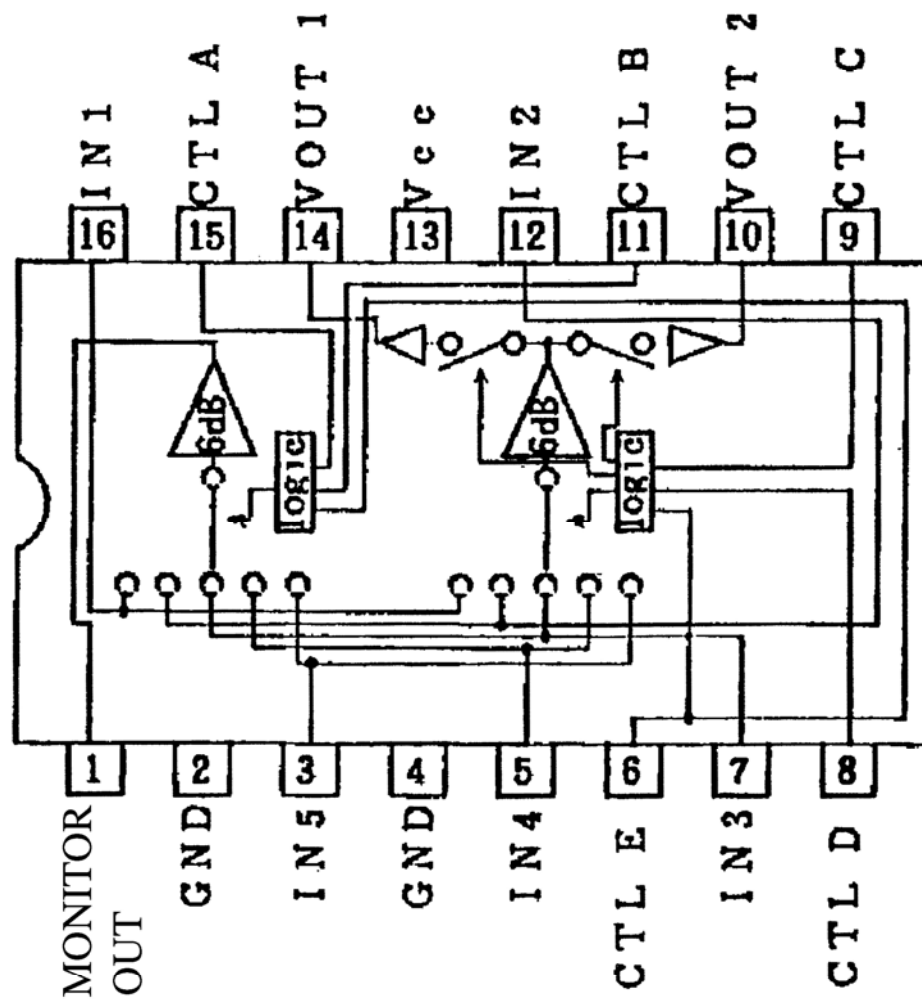
IC, LC72131D



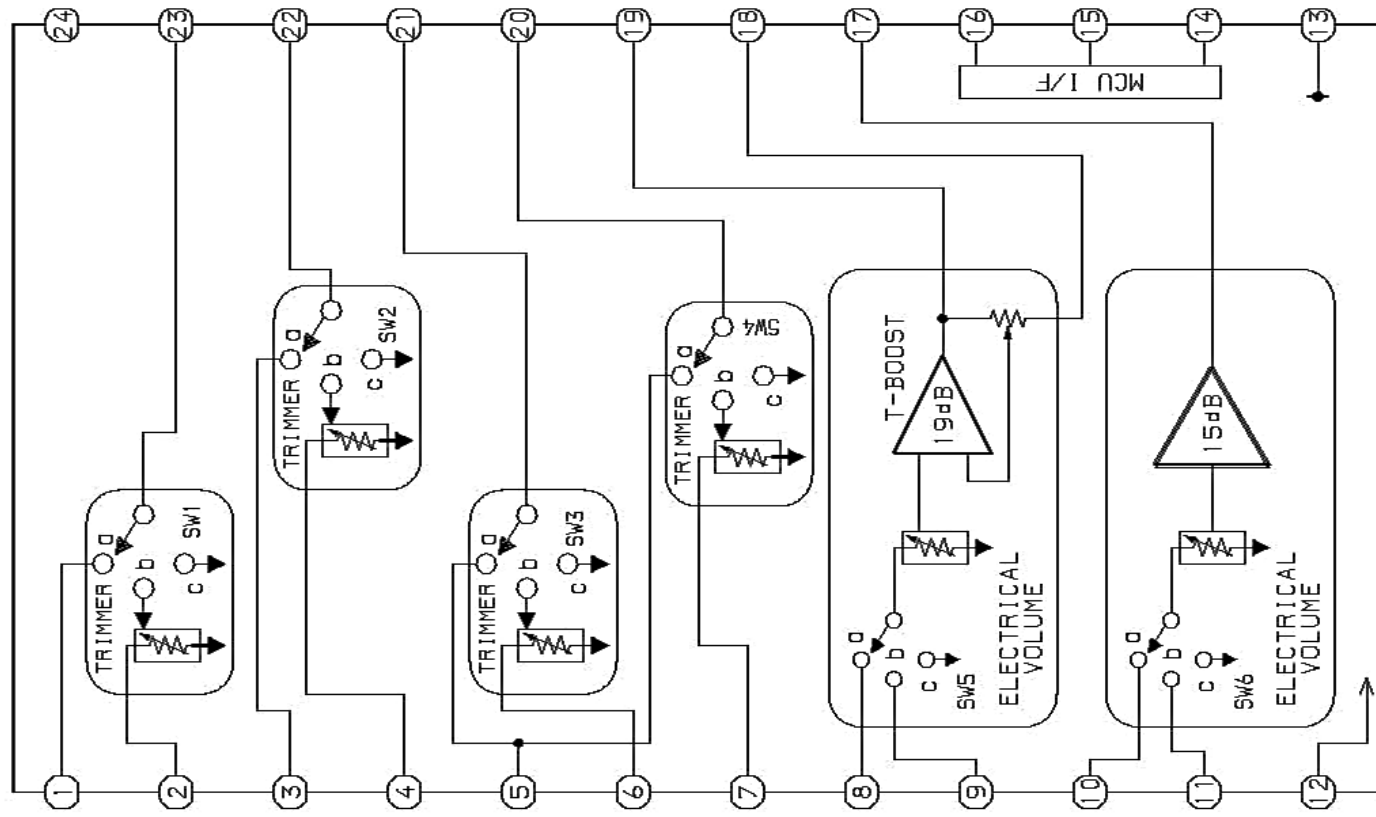
IC, LA1837NL



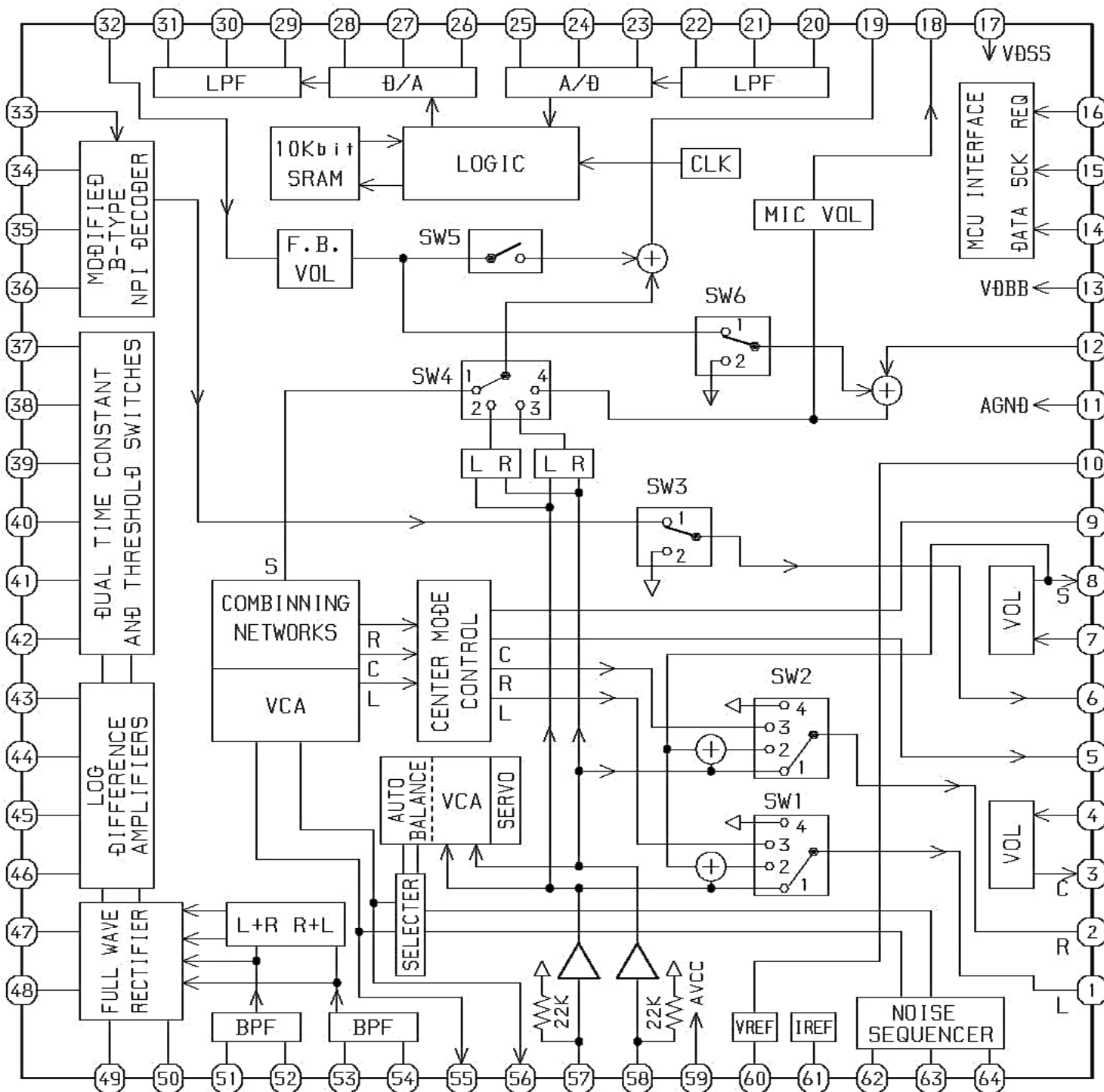
IC, BA7625



IC, M62491FP



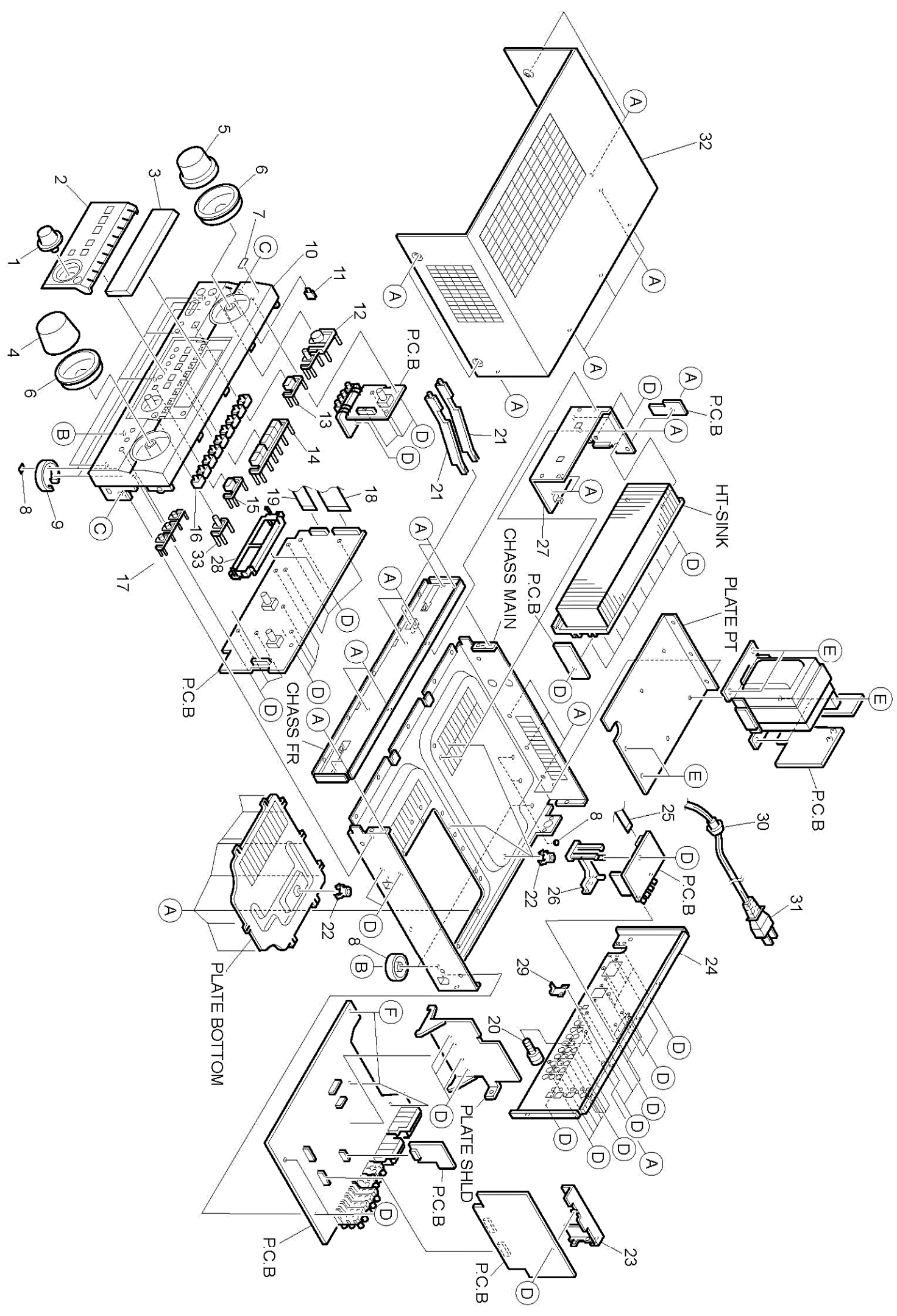
IC, M62463AFP



IC DESCRIPTION
IC, UPD780228GF

Pin No.	Pin Name	I/O	Description
1	$\overline{K-SCAN}$	O	Scan output to diode input (Active "L").
2	O-PLL-CE	O	Tuner PLL chip enable output.
3	O-DATA (M)	O	Sound CTRL, PLL, DOLBY PROLOGIC or DSP, AC-3 VOL, GEQ, Data output.
4	TUNE/IFC	I	Tuner $\overline{TUNE/IFC}$ detection input.
5	O-STB (M)	O	Sound CTRL, KEYCON strobe output.
6	O-MUTE	O	System mute ON/OFF output.
7	O-CLK (M)	O	Sound CTRL, PLL, DOLBY PROLOGIC or DSP, AC-3 VOL, GEQ, Clock output.
8	O-OSD (CE)	O	OSD chip enable output.
9	I/-SYNC-DET	O	System power supply. ON/OFF output.
10	O-PRO-CE/O-DSP-CE	O	DOLBY PROLOGIC or DSP chip enable output.
11	—	—	Not used.
12	TM-BASE	I	Reference clock input for watch.
13	—	O	IC101, Strobe output from shift register (1).
14-16	—	—	Not used.
17	IC	—	GND.
18	VSS	—	GND.
19	VDD	—	Power supply pin.
20, 21	—	—	Not used.
22	\overline{CS}	O	DOLBY digital (AC-3) control. CS output.
23	SCK	O	DOLBY digital (AC-3) control. Clock output.
24	SI	O	DOLBY digital (AC-3) control. Data output.
25	SO	I	DOLBY digital (AC-3) control. Data input.
26	SDA	I	CODEC IC (CS4226) control. Data output.
27	$\overline{ADDO/CS}$	O	CODEC IC (CS4226) control. CS output.
28	I-RDS-CLK	I	RDS clock input (external interrupt).
29	I-RDS-DATA	I	RDS data input.
30	\overline{RESET}	—	Reset.
31	O-CONT.1	O	Master VOL control output for SL/SR.
32	O-CONT.2	O	Master VOL control output for center/SUB-woofer (TRIM control output for center/SUB-woofer).
33	OSD-CLK	O	OSD clock output.
34	$\overline{I-RMC}$	I	Remote control input.
35	OSD-DATA	O	OSD data output.
36	C-SHIFT	O	Microprocessor clock shift output (Active "H").
37	VDD1	—	Power supply pin.
38	X1	—	Connected to 5.76MHz oscillator.
39	X2	—	Connected to 5.76MHz oscillator.
40	VSS1	—	GND.
41	AVDD	—	Power supply pin.
42	\overline{HOLD}	I	System power supply voltage monitoring. AD input.
43	I-RE-VOL	I	Rotary encoder (VOL), AD input.

Pin No.	Pin Name	I/O	Description
44	I-SYNC-DET/I-RDS-SIG	I	OSD sync. AD input. RDS tuning signal level. AD input.
45	I-JOG2	I	Rotary encoder (JOG2), AD input.
46	I-FU-JOG1	I	Function selector rotary encoder (JOG1), AD input.
47, 48	I-KEY2, I-KEY1	I	Key 2, 1, AD input.
49	I-MIC	I	Microphone signal level detector. AD input.
50	AVSS	—	ADND.
51	O-STB-31	O	GEQ IC chip enable output.
52	POWER-LED	O	Power LED ON/OFF output (Active "H").
53-64	P35-P24	O	FL segment output (P35-P24).
65	P23/I-AM10K	O	FL segment output (P23)/supporting AM step initialization 10 kHz.
66, 67	P22/I-VF, KC, EC	I/O	FL segment output (P22, P21)/supporting VF, key control, ECHO, Diode input.
68	P20/I-AC3	I/O	FL segment output (P20)/supporting AC-3, Diode input.
69-73	P19-O-P15	O	FL segment output (P19-P15).
74	P14/I-STEREO	I/O	FL segment output (P14). Turner/stereo detection input (stereo at "L").
75	P13/I-HPMUTE	I/O	FL segment output (P13). Headphones insertion detection input (HP insertion at "L").
76-78	P12-P10	O	FL segment output (P12-P10).
79	VDD2	—	Power supply pin.
80	-VFL	—	- Voltage.
81-89	P9-P1	O	FL segment output (P9-P1).
90-100	G11-G1	O	FL grid output (G11-G1).



MECHANICAL PARTS LIST 1/1

DESCRIPTIONで判断できない物は "REFERENCE NAME LIST" を参照してください。
 If can't understand for Description please kindly refer to "REFERENCE NAME LIST".

REF. NO	PART NO.	KANRI NO.	DESCRIPTION	REF. NO	PART NO.	KANRI NO.	DESCRIPTION
1	8Z-AR1-013-010		KNOB,RTRY JOG	21	8Z-AR1-010-010		BTN,SP
2	8Z-AR1-002-010		PANEL,FR	22	88-AR1-218-010		HLDR,PWB H8.9
3	8Z-AR3-005-010		WINDOW,DISPLAY 5.1CH	23	8Z-AR1-219-010		HLDR,PWB PRO
4	8Z-AR1-011-010		KNOB,RTRY VOL	24	8Z-AR3-001-010		PANEL,REAR UBNM
5	8Z-AR1-012-010		KNOB,RTRY FUN	25	88-911-161-110		FF-CABLE,11P 1.25
6	8Z-AR1-017-010		RING,VOL	26	88-AR1-203-010		HLDR,TU
7	82-NE6-067-010		BADGE,AIWA 30N	27	8Z-AR1-205-010		HLDR,HT-SINK
8	8Z-AR1-021-010		FOOT,REAR	28	88-NF6-205-010		GUIDE,FL 40-150- 9
9	8Z-AR1-020-010		RING,FOOT SIL	29	8Z-AR1-210-010		HLDR,PT PWB
10	8Z-AR3-007-010		CABI,FR U	30	87-085-189-010		BUSHING, CORD (U)
11	8Z-AR1-016-010		REFLECTOR,ECO	31	87-A80-110-010		AC CORD ASSY,U SPT-2W
12	8Z-AR1-004-010		KEY,POWER	32	8Z-AR1-003-010		CABI,STEEL
13	8Z-AR1-019-010		KEY,MONITOR	33	8Z-AR1-007-010		KEY,ENTER
14	8Z-AR1-005-010		KEY,GEQ	A	87-067-584-010		TAPPING SCREW, BVT2+3-6
15	8Z-AR1-006-010		KEY,DIGITAL	B	87-067-641-010		UTT2+3-8 (W/O SLOT)BL
16	8Z-AR1-015-010		REFLECTOR,FUN	C	87-591-095-410		TAPPING SCREW, QIT+3-8 (GLD)
17	8Z-AR1-031-010		KEY,BALANCE	D	87-067-703-010		TAPPING SCREW, BVT2+3-10
18	8Z-AR1-603-010		FF-CABLE, 32P 1.25 400MM	E	87-067-975-010		S-SCREW,IT+4-8
19	88-917-101-110		FF-CABLE, 17P 1.25	F	87-067-581-010		TAPPING SCREW, BVT2+3-15
20	87-033-209-010		TERMINAL, EARTH		88-AR2-205-110		HLDR,PWB OSD

COLOR NAME TABLE

Basic color symbol	Color	Basic color symbol	Color	Basic color symbol	Color
B	Black	C	Cream	D	Orange
G	Green	H	Gray	L	Blue
LT	Transparent Blue	N	Gold	P	Pink
R	Red	S	Silver	ST	Titan Silver
T	Brown	V	Violet	W	White
WT	Transparent White	Y	Yellow	YT	Transparent Yellow
LM	Metallic Blue	LL	Light Blue	GT	Transparent Green
LD	Dark Blue	DT	Transparent Orange		

ACCESSORIES/PACKAGE LIST

DESCRIPTIONで判断できない物は "REFERENCE NAME LIST" を参照してください。
If can't understand for Description please kindly refer to "REFERENCE NAME LIST".

REF. NO	PART NO.	KANRI NO.	DESCRIPTION
1	8Z-AR3-903-010	IB,U(ESF)M	
2	88-AR2-654-010	RC UNIT,RC-8AR03	
3	87-043-115-010	ANT,FEEDER FM	
4	87-006-225-010	AM LOOP ANT NC2	



サービス技術ニュース	
番号	連絡内容
G- -	
G- -	
G- -	

アイワ株式会社 〒110 東京都台東区池之端1-2-11 ☎03 (3827) 3111 (代表)
AIWA CO.,LTD. 2-11, IKENOHATA 1-CHOME, TAITO-KU, TOKYO 110, JAPAN TEL:03 (3827) 3111